

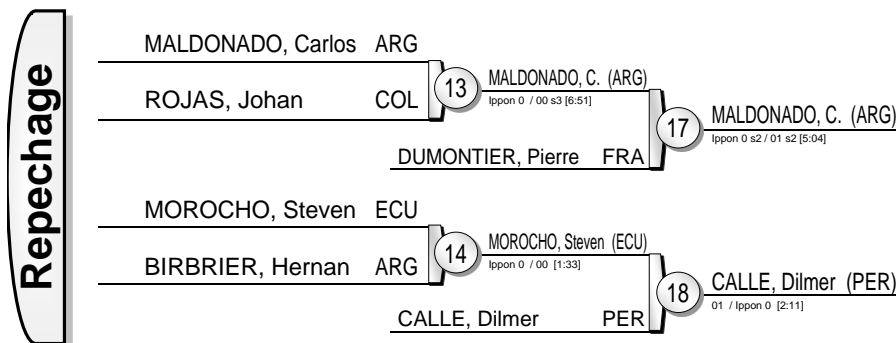


# Pan-American Open Lima 2019

(PER Lima, 9-10 March 2019)

# -60 kg

15 Judoka



Results		
1.	FUTTINICO, John	COL
2.	POKLITAR, Gueorgui	CAN
3.	MALDONADO, Carlos	ARG
3.	CALLE, Dilmer	PER
5.	DUMONTIER, Pierre	FRA
5.	MOROCHO, Steven	ECU
7.	ROJAS, Johan	COL
7.	BIRBRIER, Hernan	ARG



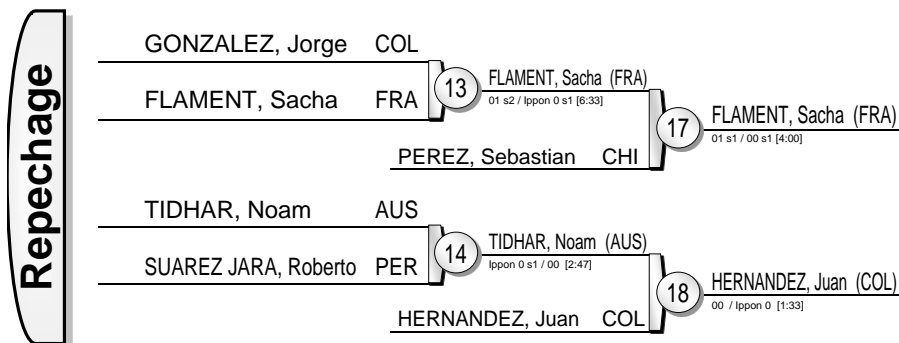


# Pan-American Open Lima 2019

(PER Lima, 9-10 March 2019)

# -66 kg

16 Judoka



Results		
1.	POSTIGOS, Juan	PER
2.	TAMASHIRO, Minoru	ARG
3.	FLAMENT, Sacha	FRA
3.	HERNANDEZ, Juan	COL
5.	PEREZ, Sebastian	CHI
5.	TIDHAR, Noam	AUS
7.	GONZALEZ, Jorge	COL
7.	SUAREZ JARA, Roberto	PER





# Pan-American Open Lima 2019

(PER Lima, 9-10 March 2019)

# -73 kg

12 Judoka



Results		
1.	OTMANE, Luca	FRA
2.	KNOESTER, Calvin	AUS
3.	NAVARRO, Leider	COL
3.	WONG, Alonso	PER
5.	METELLUS, Philippe Abel	HAI
5.	SALEM, Salama	USA
7.	BARTHE CHIRRINOS, Aldair	PER
7.	JOSE, Diaz	PER



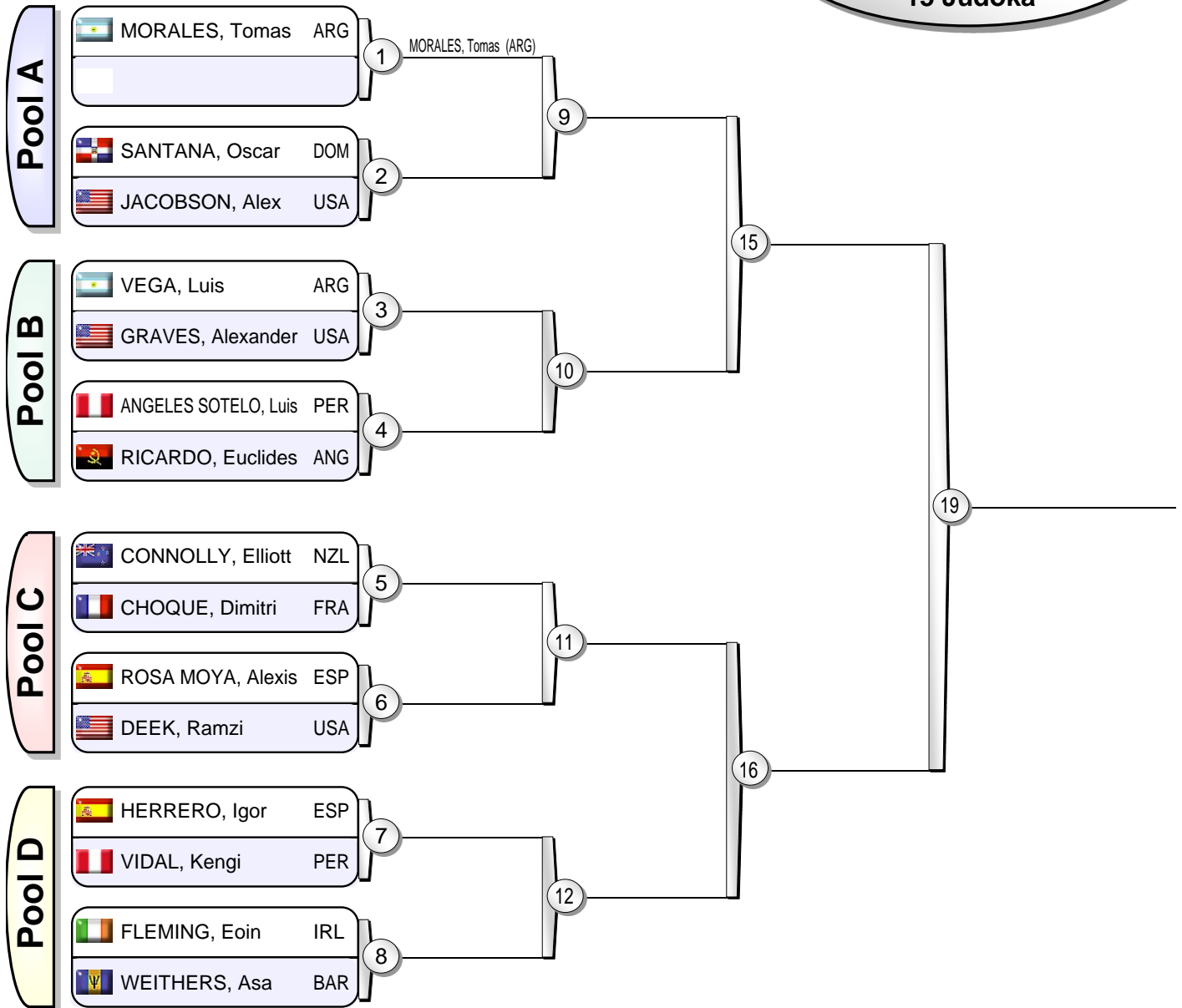


# Pan-American Open Lima 2019

(PER Lima, 9-10 March 2019)

# -81 kg

15 Judoka



### Results

- 1.
- 2.
- 3.
- 3.
- 5.
- 5.
- 7.
- 7.



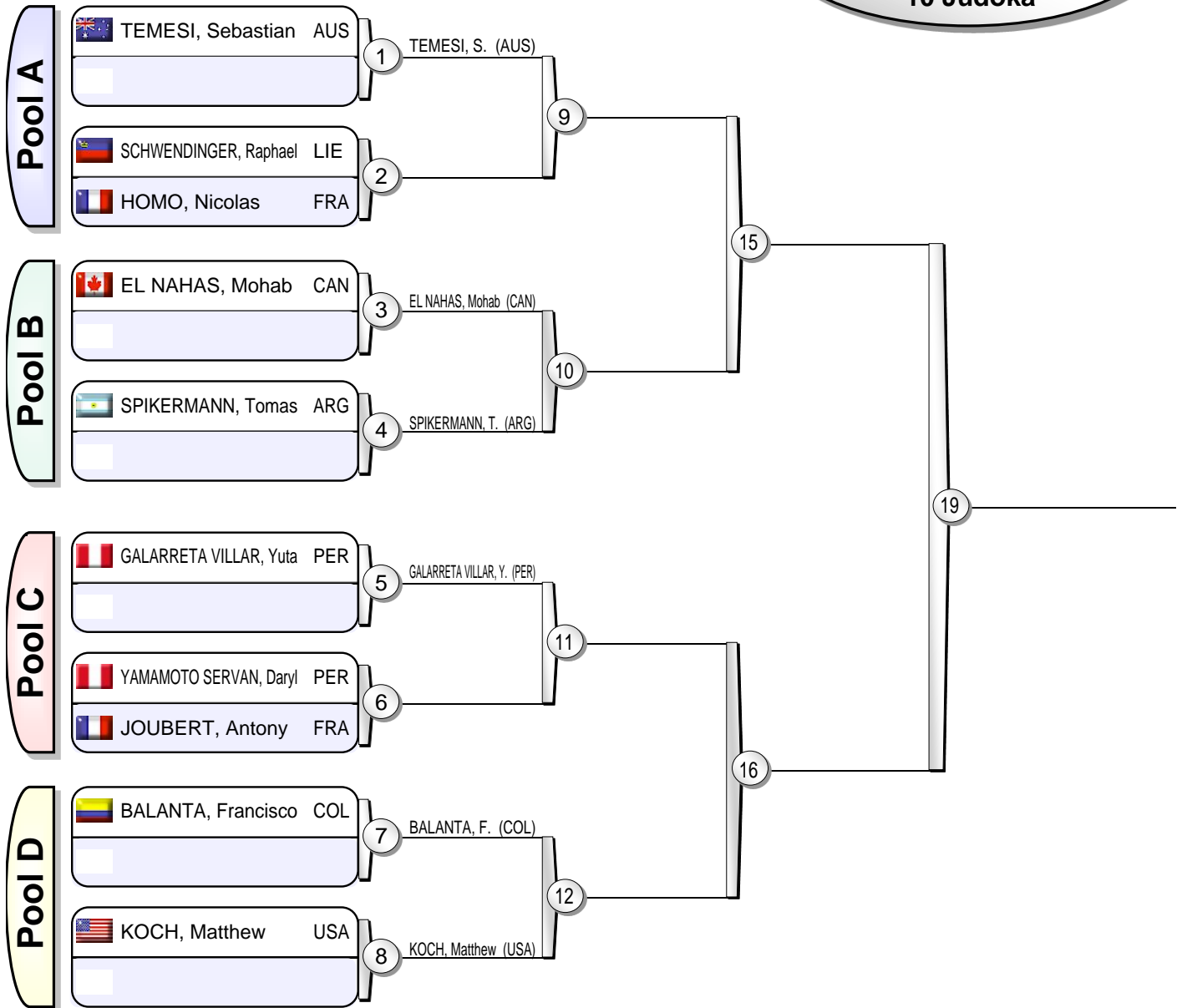


# Pan-American Open Lima 2019

(PER Lima, 9-10 March 2019)

# -90 kg

10 Judoka



### Results

- 1.
- 2.
- 3.
- 3.
- 5.
- 5.
- 7.
- 7.



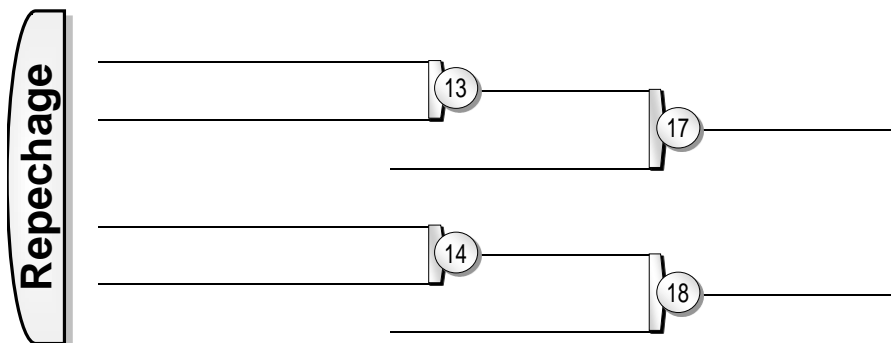
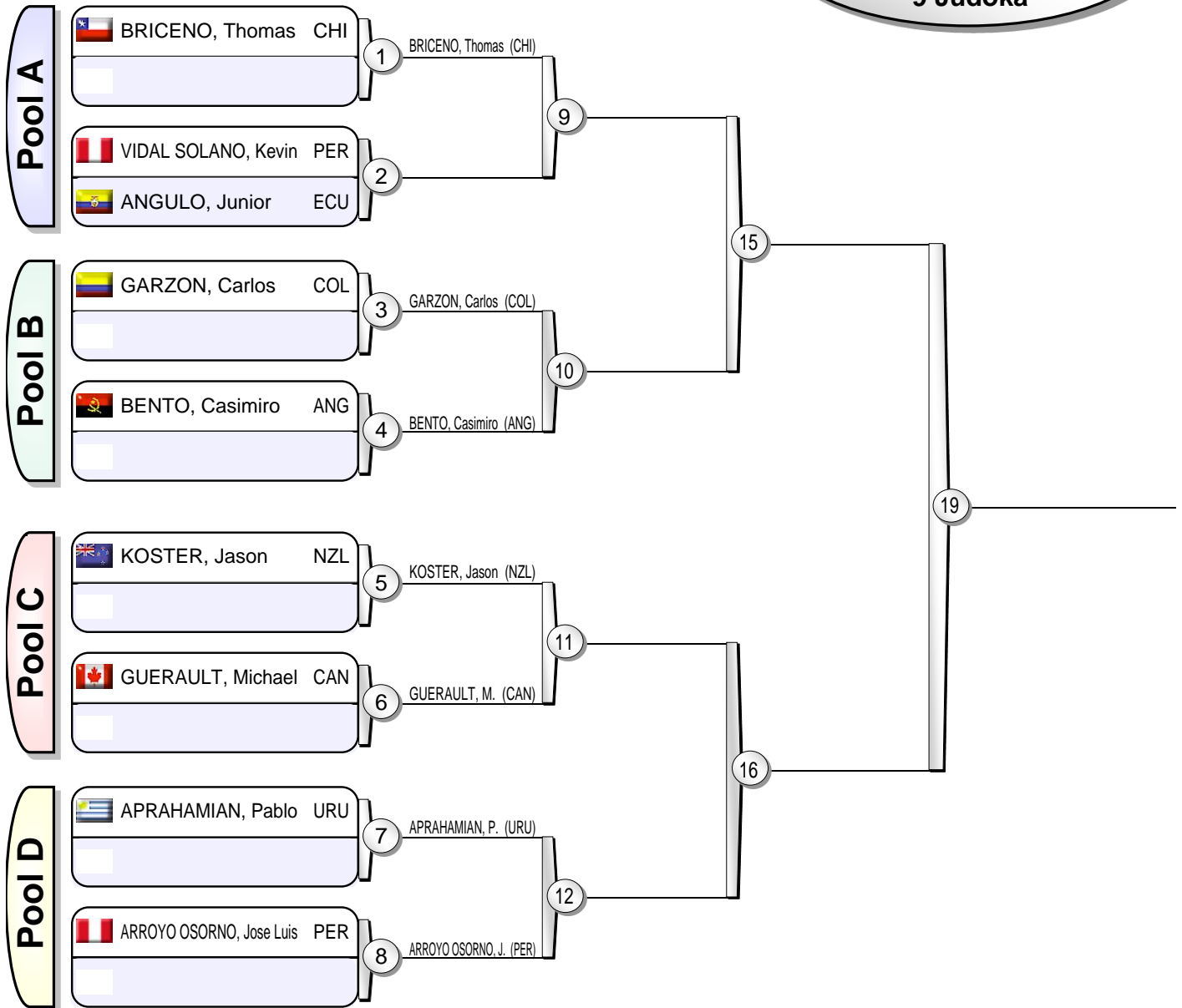


# Pan-American Open Lima 2019

(PER Lima, 9-10 March 2019)

# -100 kg

9 Judoka



### Results

- 1.
- 2.
- 3.
- 3.
- 5.
- 5.
- 7.
- 7.



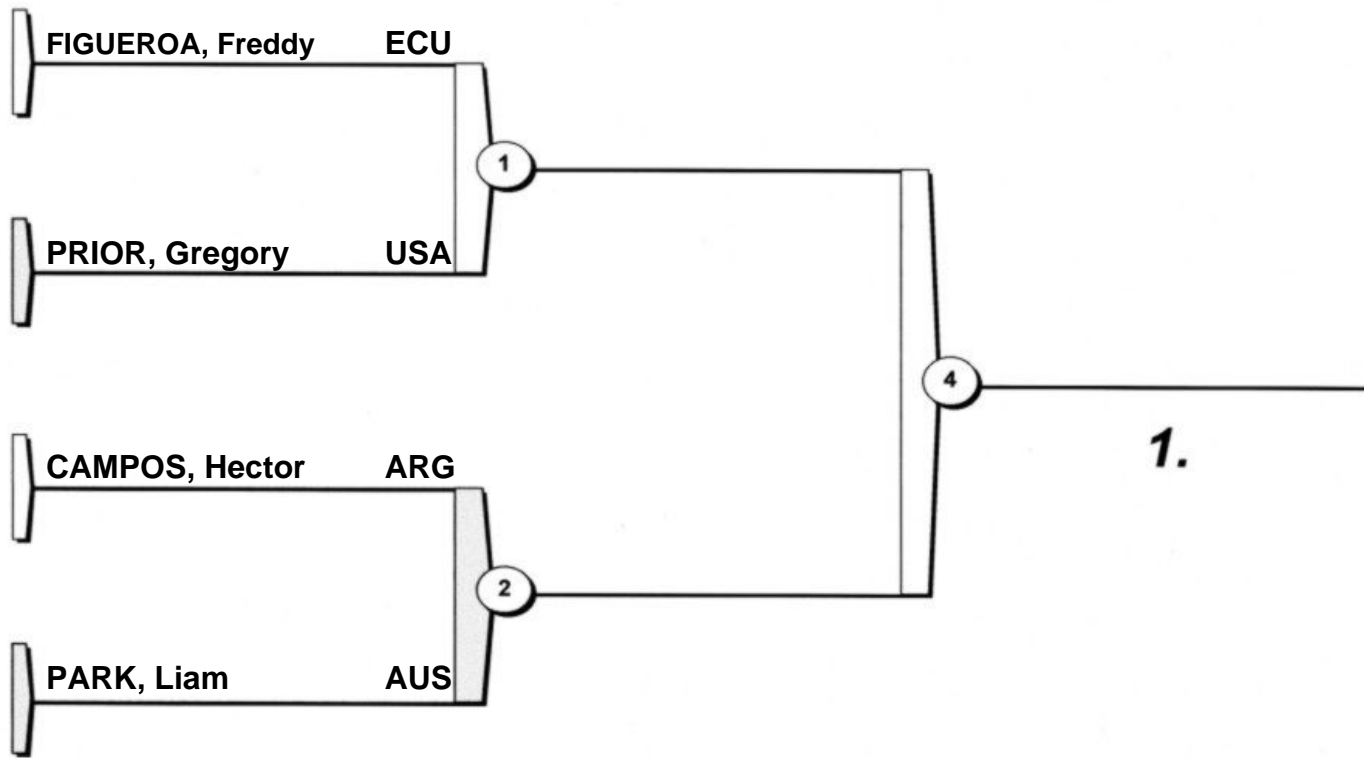


# Pan-American Open Lima 2019

(PER Lima, 9-10 March 2019)

# +100 kg

4 Judoka



- 1.
- 2.
- 3.

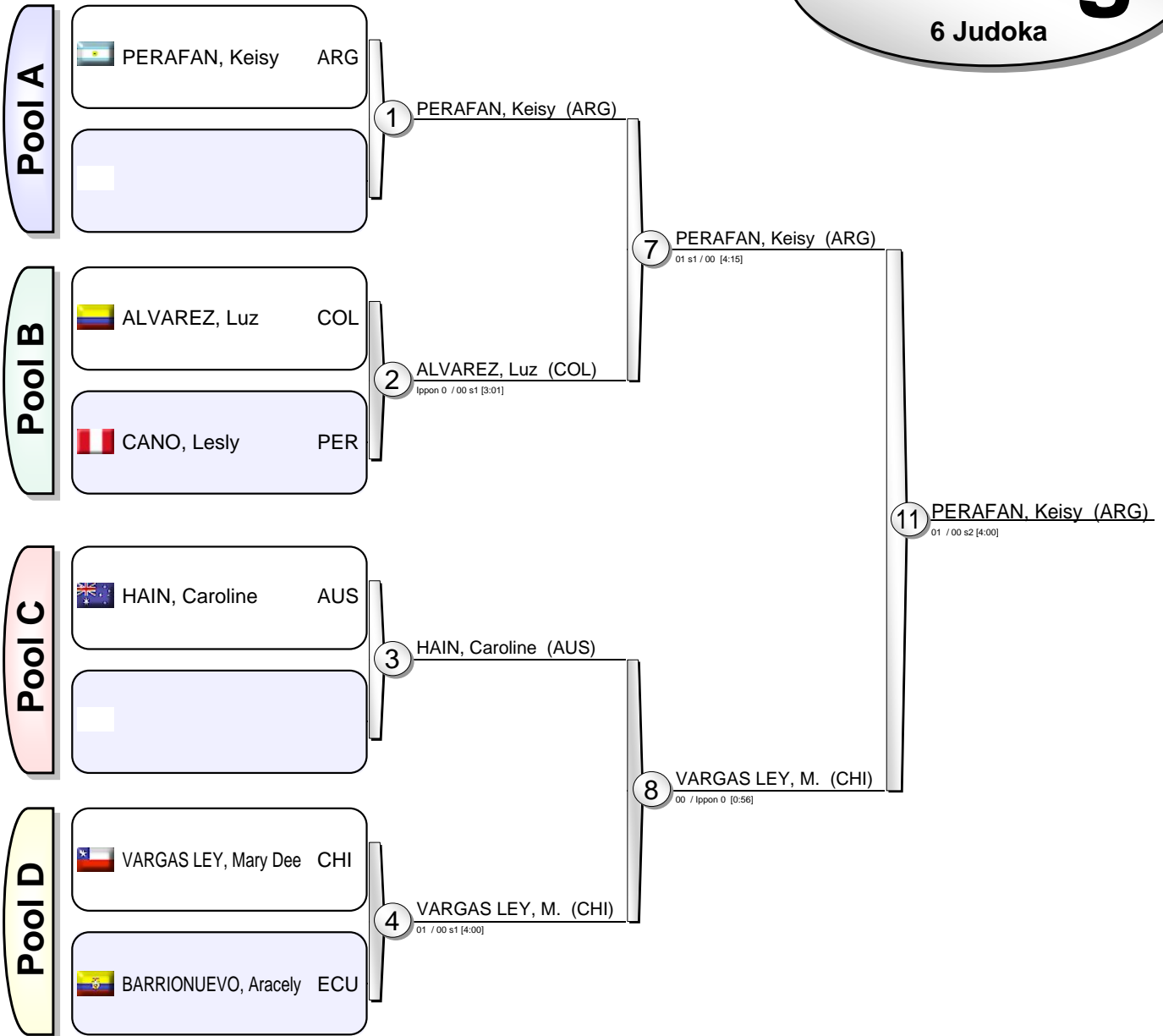


# Pan-American Open Lima 2019

(PER Lima, 9-10 March 2019)

# -48 kg

6 Judoka



## Results

- PERAFAN, Keisy ARG
- VARGAS LEY, Mary Dee CHI
- CANO, Lesly PER
- ALVAREZ, Luz COL
- HAIN, Caroline AUS
- BARRIONUEVO, Aracely ECU
- 
- 





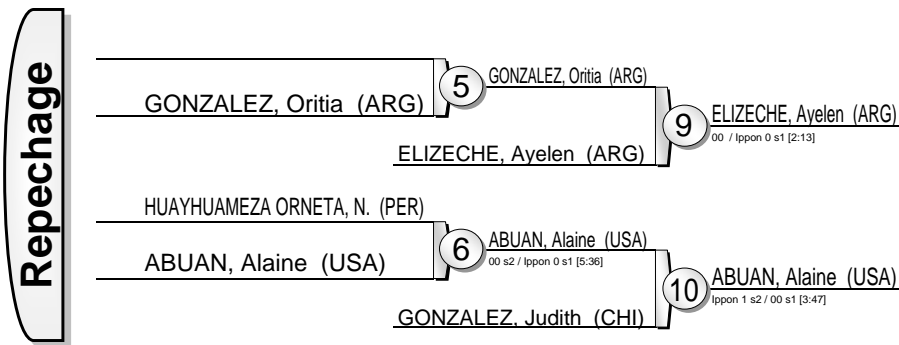
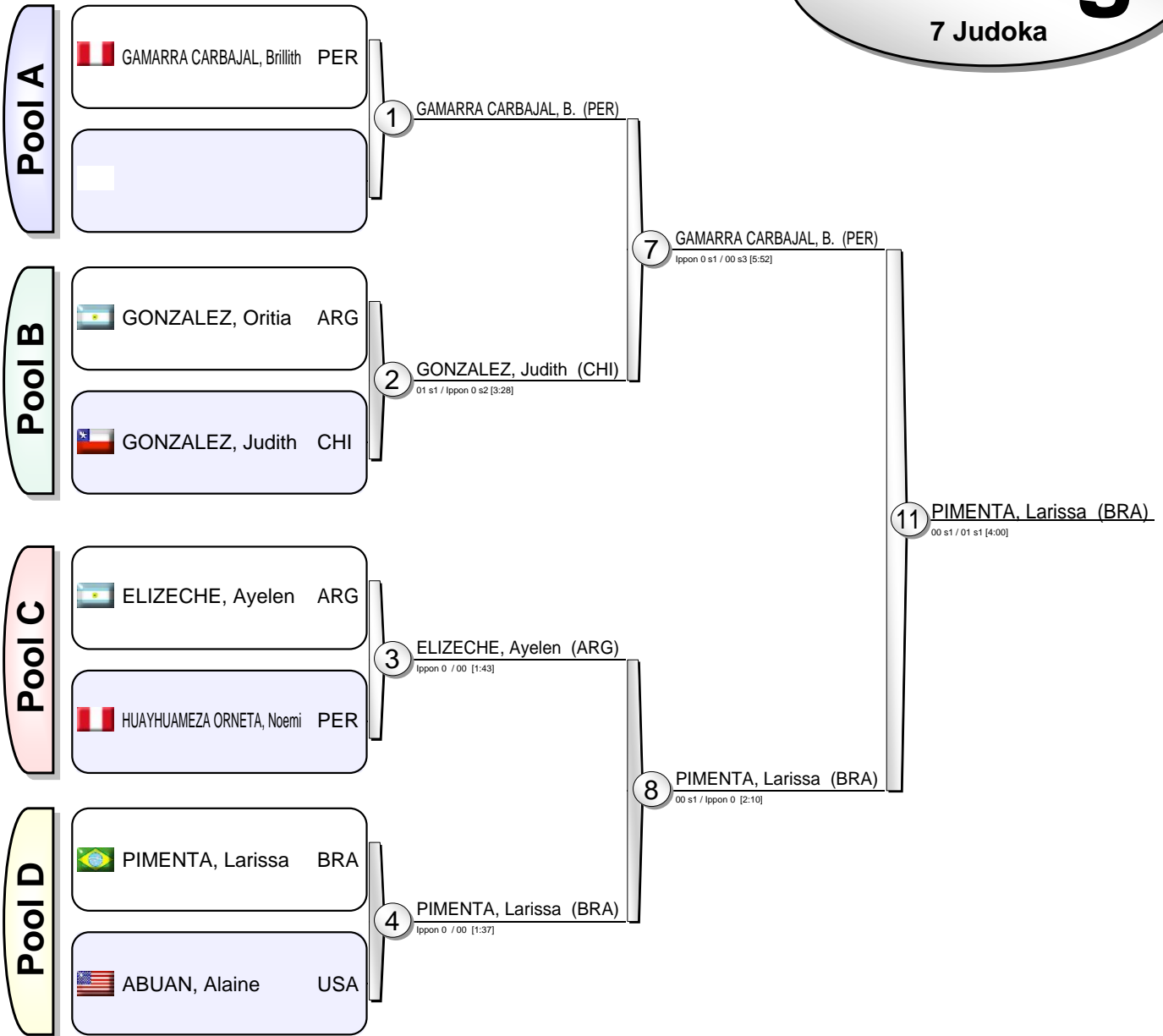


# Pan-American Open Lima 2019

(PER Lima, 9-10 March 2019)

# -52 kg

7 Judoka



## Results

1. PIMENTA, Larissa BRA
2. GAMARRA CARBAJAL, Brillith PER
3. ELIZECHE, Ayelen ARG
3. ABUAN, Alaine USA
5. GONZALEZ, Oritia ARG
5. GONZALEZ, Judith CHI
- 7.
7. HUAYHUAMEZA ORNETA, Noemi PER





# Pan-American Open Lima 2019

(PER Lima, 9-10 March 2019)

# -57 kg

10 Judoka



Results		
1.	PERISIC, Marica	SRB
2.	FULGENTES, Amelia	USA
3.	BISHOP, Justine	NZL
3.	EBRAHIM, Shadi	USA
5.	FLORES, Marian	PER
5.	RAHMING, Cynthia	BAH
7.		
7.	ARANGO MIRANDA, Kiara	PER



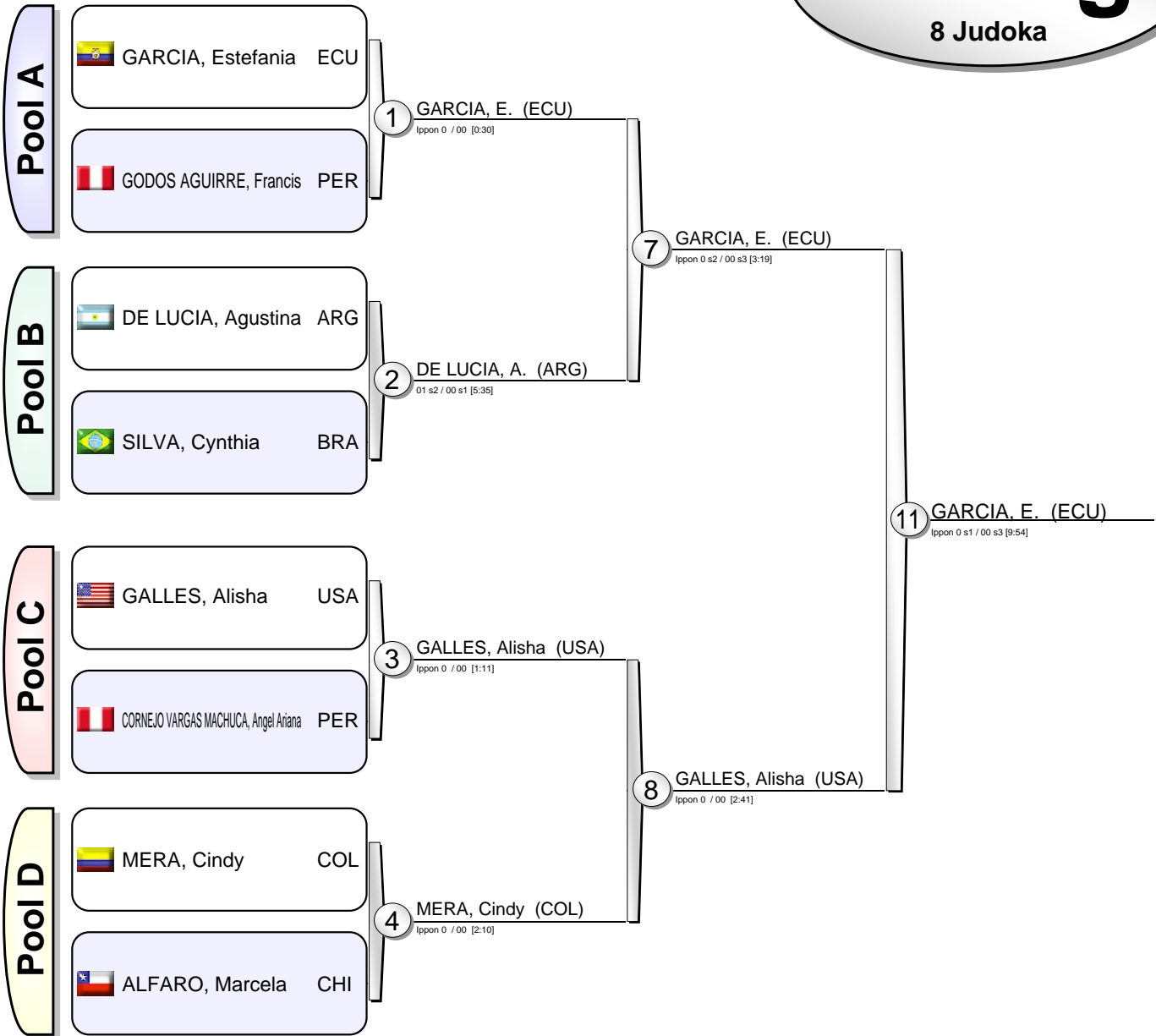


# Pan-American Open Lima 2019

(PER Lima, 9-10 March 2019)

# -63 kg

8 Judoka



Results		
1.	GARCIA, Estefania	ECU
2.	GALLES, Alisha	USA
3.	MERA, Cindy	COL
3.	DE LUCIA, Agustina	ARG
5.	GODOS AGUIRRE, Francis	PER
5.	ALFARO, Marcela	CHI
7.	SILVA, Cynthia	BRA
7.	CORNEJO VARGAS MACHUCA, Angel Ariana	PER





# Pan-American Open Lima 2019

(PER Lima, 9-10 March 2019)

## -70 kg

3 Judoka

			1	2	3		
1	HOFMAN, Urszula	POL				0 (0)	
2	SANTANA, Ellen	BRA				0 (0)	
3	MORALES FALCONI, Xsara	PER				0 (0)	

1	HOFMAN, Urszula	POL	1	_____
2	SANTANA, Ellen	BRA		

1	HOFMAN, Urszula	POL	2	_____
3	MORALES FALCONI, Xsara	PER		

2	SANTANA, Ellen	BRA	3	_____
3	MORALES FALCONI, Xsara	PER		

1.

2.



# Pan-American Open Lima 2019

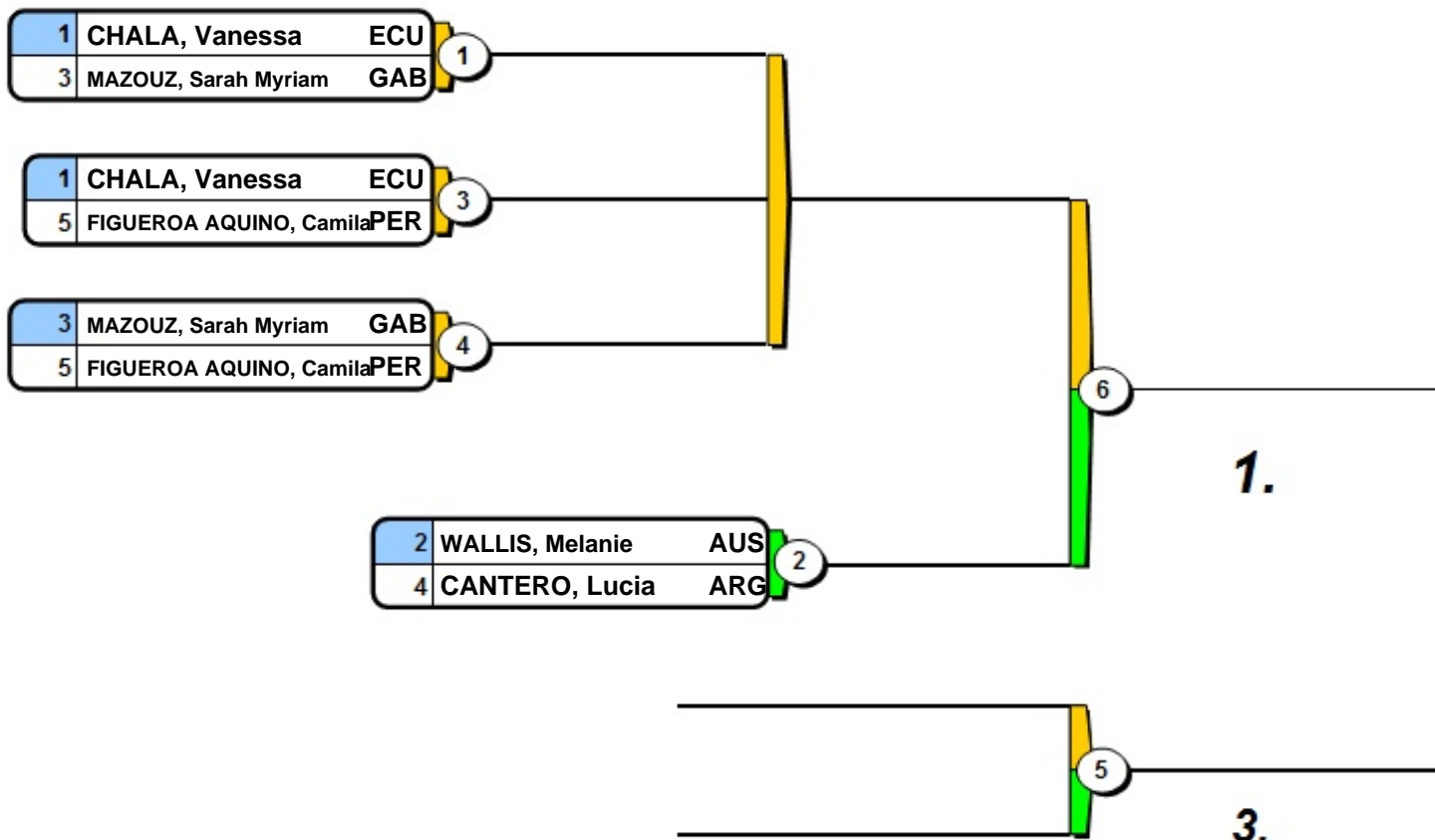
(PER Lima, 9-10 March 2019)

# -78 kg

5 Judoka

			1	3	5	Wins	Scores
1	CHALA, Vanessa	ECU				0	(0)
3	MAZOUZ, Sarah Myriam	GAB				0	(0)
5	FIGUEROA AQUINO, Camila	PER				0	(0)

			2	4	Wins	Scores
2	WALLIS, Melanie	AUS			0	(0)
4	CANTERO, Lucia	ARG			0	(0)



- 1.
- 2.
- 3.



# Pan-American Open Lima 2019

(PER Lima, 9-10 March 2019)

# +78 kg

3 Judoka

			1	2	3		
1	FUENTEALBA, Josefina	CHI				0 (0)	
2	WILLIAMS, Mackenzie	USA				0 (0)	
3	BREDESTON, Amanda	ARG				0 (0)	

1	FUENTEALBA, Josefina	CHI	1
2	WILLIAMS, Mackenzie	USA	

1	FUENTEALBA, Josefina	CHI	2
3	BREDESTON, Amanda	ARG	

2	WILLIAMS, Mackenzie	USA	3
3	BREDESTON, Amanda	ARG	

1.

2.