

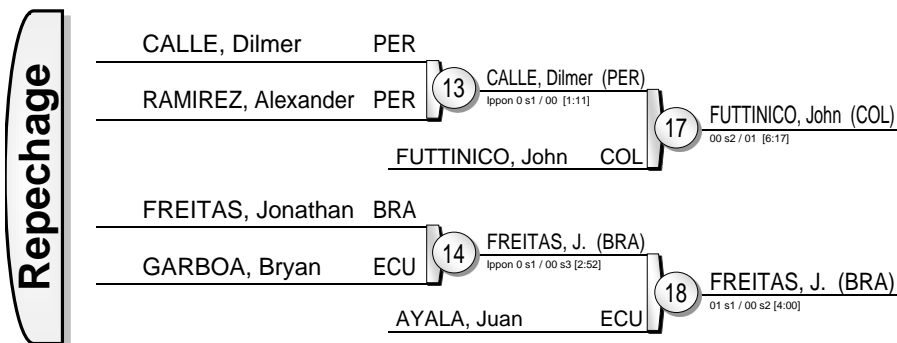


Pan-American Open Quito 2019

(ECU Quito, 15-16 June 2019)

-60 kg

10 Judoka



Results		
1.	MOROCHO, Steven	ECU
2.	CARVALHO, Italo	BRA
3.	FUTTINICO, John	COL
3.	FREITAS, Jonathan	BRA
5.	CALLE, Dilmer	PER
5.	AYALA, Juan	ECU
7.	RAMIREZ, Alexander	PER
7.	GARBOA, Bryan	ECU



Pan-American Open Quito 2019

(ECU Quito, 15-16 June 2019)

-66 kg

12 Judoka



Results		
1.	SOLIS, Osniel	CUB
2.		
3.	GONZALEZ, Jorge	COL
3.	POSTIGOS, Juan	PER
5.	HERNANDEZ, Juan	COL
5.	LUNA, Ariel	ECU
7.	GUERRERO, Maykel	ECU
7.	GUILLEN, Byron	ECU

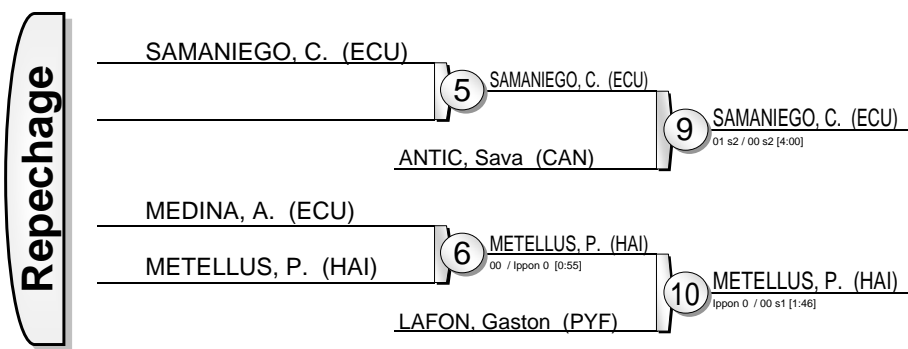
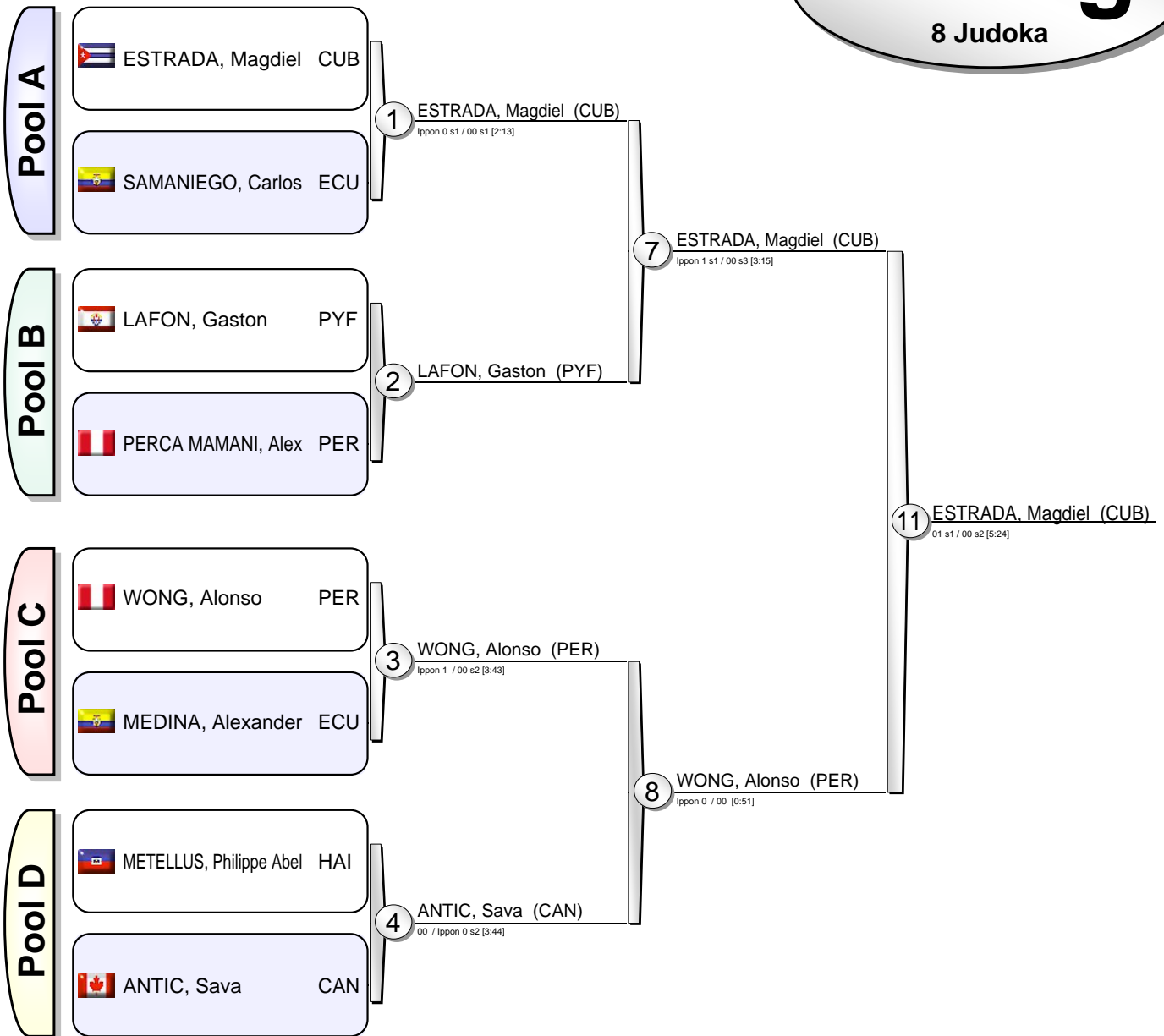


Pan-American Open Quito 2019

(ECU Quito, 15-16 June 2019)

-73 kg

8 Judoka



Results

- ESTRADA, Magdiel CUB
- WONG, Alonso PER
- SAMANIEGO, Carlos ECU
- METELLUS, Philippe Abel HAI
- ANTIC, Sava CAN
- LAFON, Gaston PYF
- MEDINA, Alexander ECU

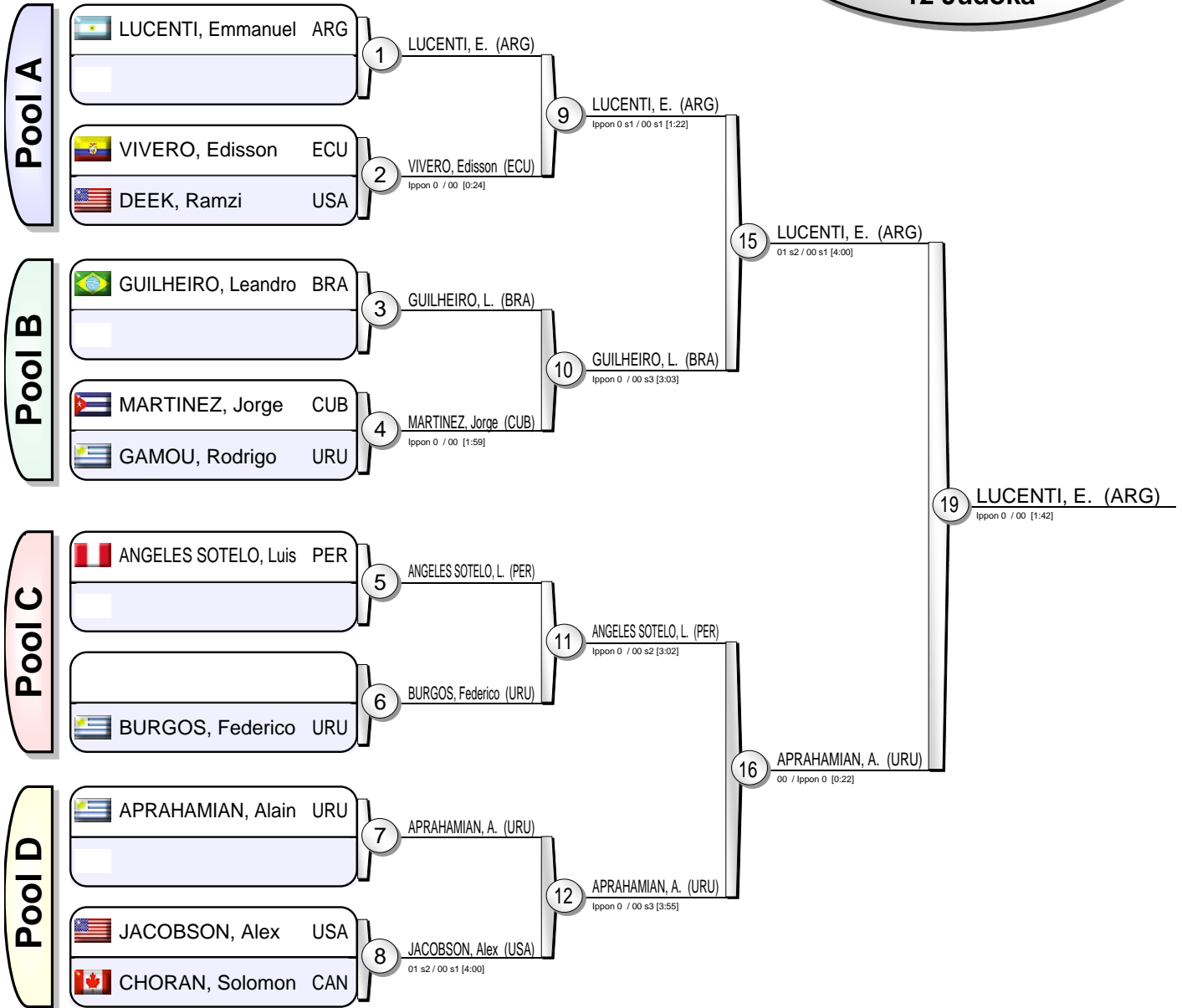


Pan-American Open Quito 2019

(ECU Quito, 15-16 June 2019)

-81 kg

12 Judoka



Results		
1.	LUCENTI, Emmanuel	ARG
2.	APRAHAMIAN, Alain	URU
3.	MARTINEZ, Jorge	CUB
3.	GUILHEIRO, Leandro	BRA
5.	ANGELES SOTELO, Luis	PER
5.	BURGOS, Federico	URU
7.	VIVERO, Edisson	ECU
7.	JACOBSON, Alex	USA

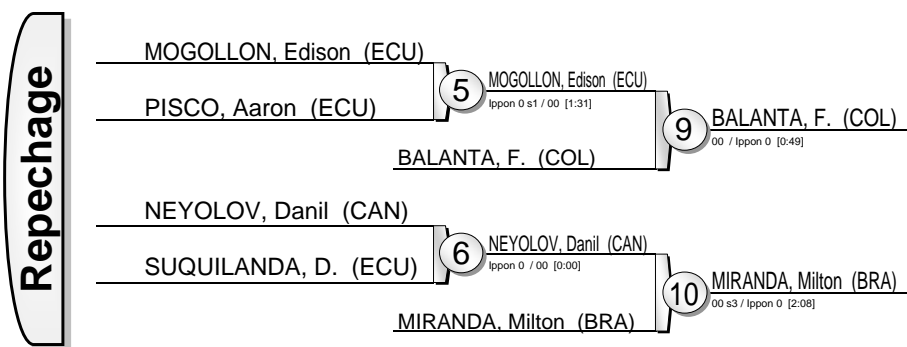
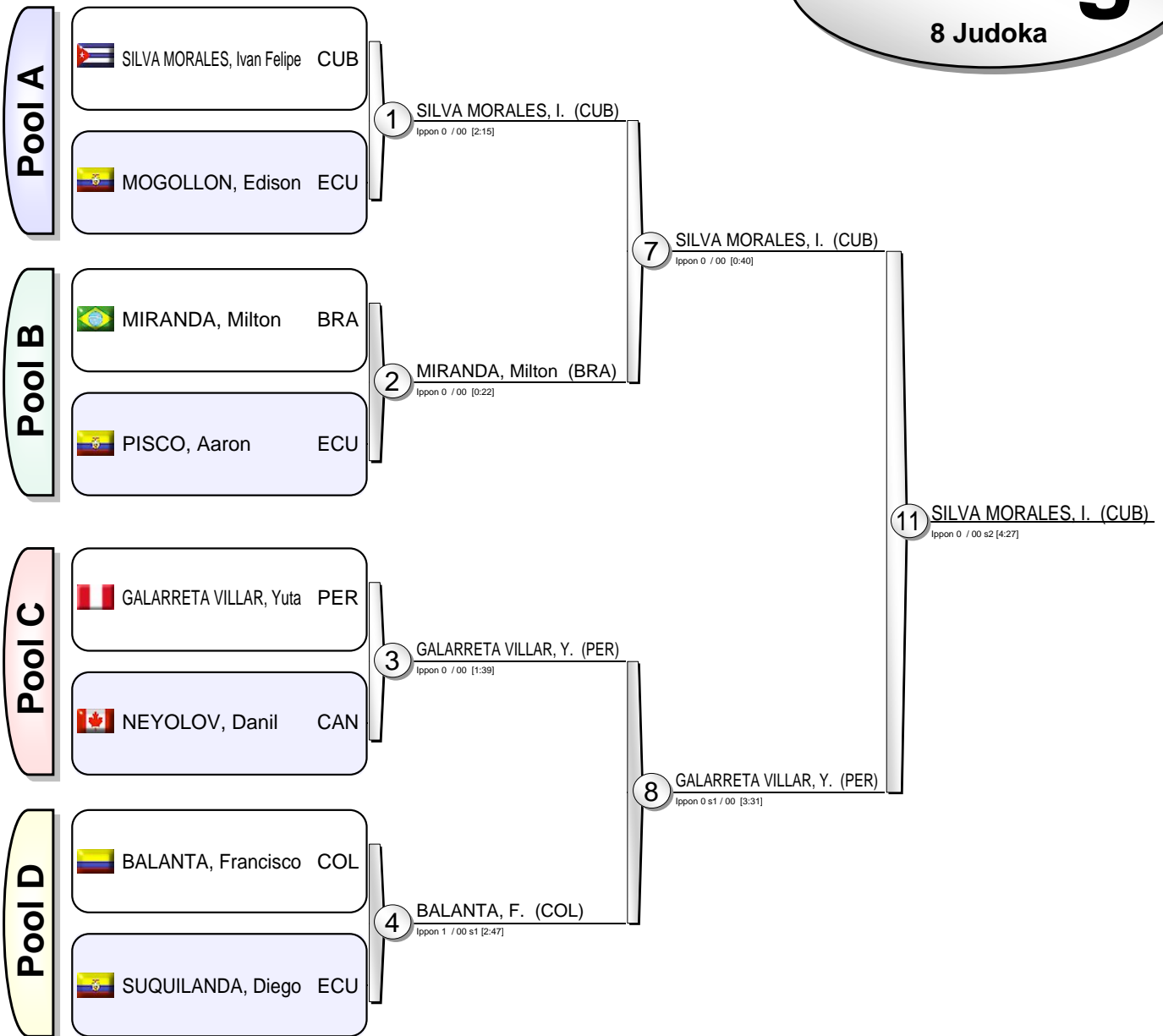


Pan-American Open Quito 2019

(ECU Quito, 15-16 June 2019)

-90 kg

8 Judoka



Results

- SILVA MORALES, Ivan Felipe CUB
- GALARRETA VILLAR, Yuta PER
- BALANTA, Francisco COL
- MIRANDA, Milton BRA
- MOGOLLON, Edison ECU
- NEYOLOV, Danil CAN
- PISCO, Aaron ECU
- SUQUILANDA, Diego ECU

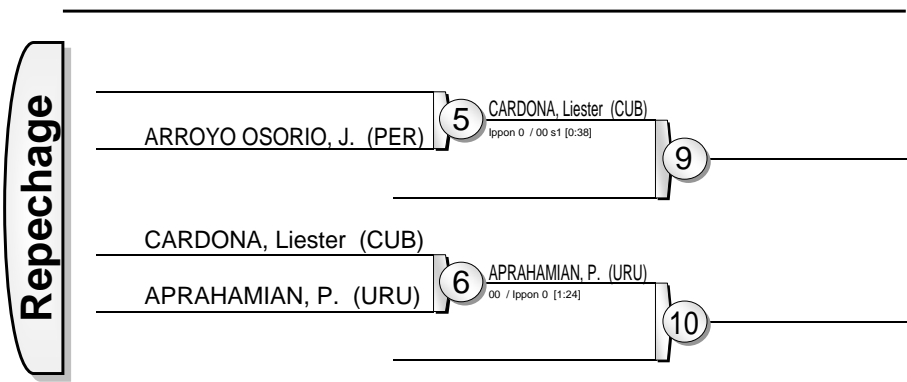
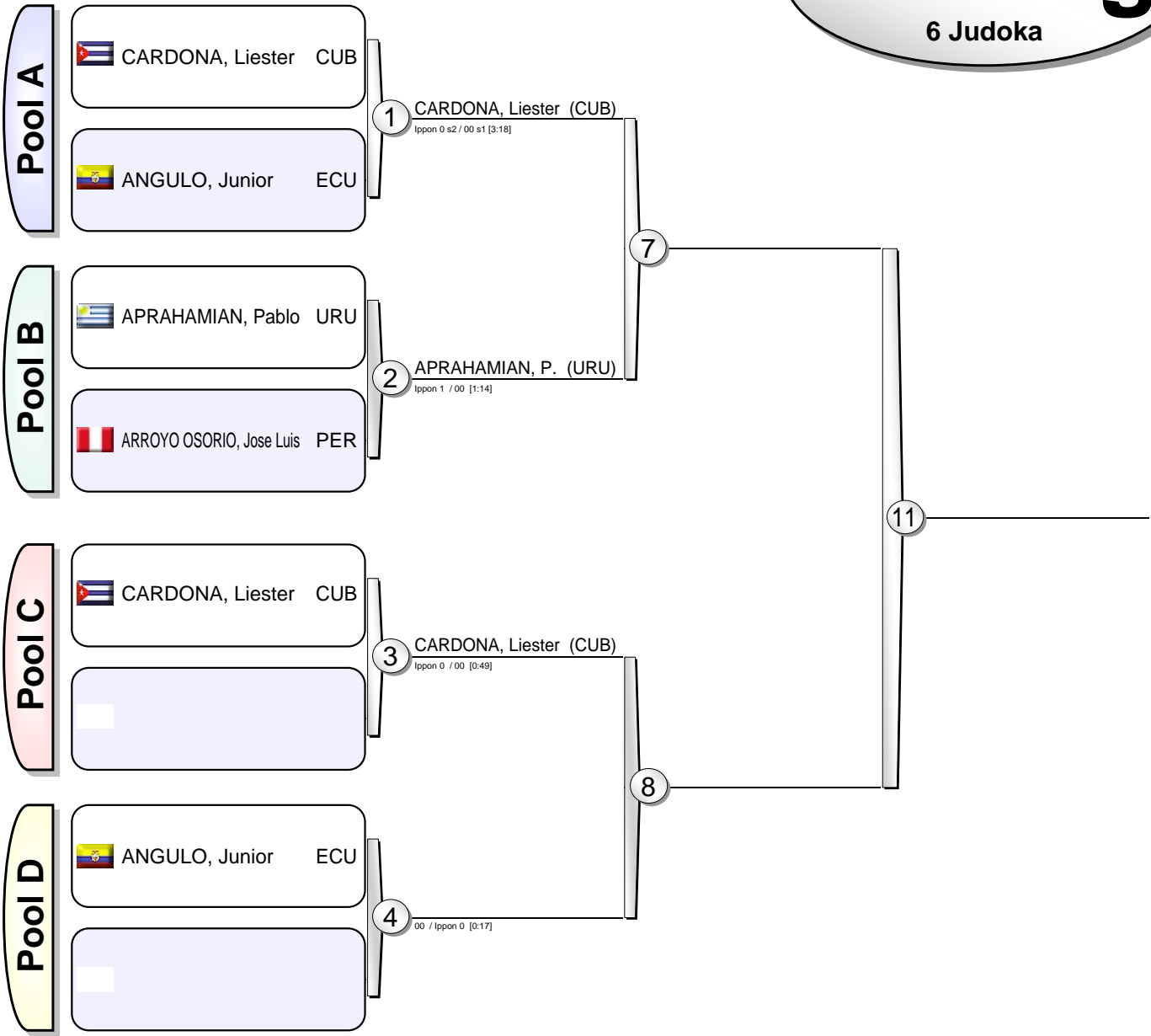


Pan-American Open Quito 2019

(ECU Quito, 15-16 June 2019)

-100 kg

6 Judoka



Results

- 1.
- 2.
- 3.
- 3.
- 5.
- 5.
7. ARROYO OSORIO, Jose Luis PER
7. CARDONA, Liester CUB



Pan-American Open Quito 2019

(ECU Quito, 15-16 June 2019)

+100 kg

3 Judoka

			1	2	3		
1	FIGUEROA, Freddy	ECU		-	+	10	1 (10)
2	GRANDA, Andy	CUB	+		+	10	2 (20)
3	TADEHARA, Ajax	USA	-	-			0 (0)

1	FIGUEROA, Freddy	ECU	1	GRANDA, Andy	CUB
2	GRANDA, Andy	CUB		000 s3 / 100 s2	3:40

1	FIGUEROA, Freddy	ECU	2	FIGUEROA, Freddy	ECU
3	TADEHARA, Ajax	USA		110 / 000	1:28

2	GRANDA, Andy	CUB	3	GRANDA, Andy	CUB
3	TADEHARA, Ajax	USA		100 s2 / 000 s2	2:54

- 1. GRANDA, Andy CUB
- 2. FIGUEROA, Freddy ECU

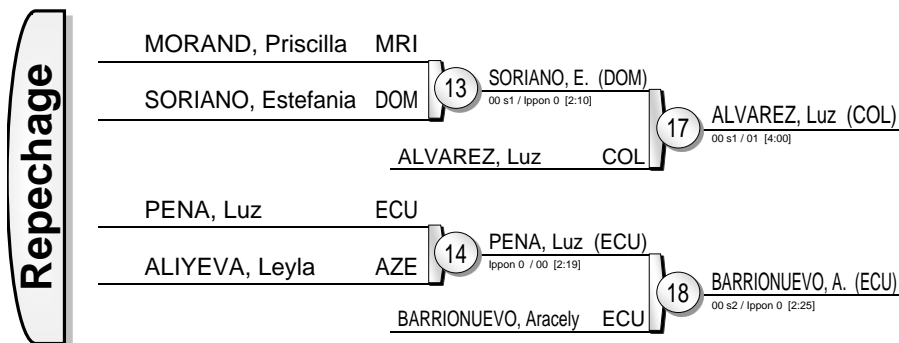


Pan-American Open Quito 2019

(ECU Quito, 15-16 June 2019)

-48 kg

9 Judoka



- ### Results
1. FRANCISCO, Eduarda (BRA)
 2. PAIVA DE LARA, Bianca (BRA)
 3. ALVAREZ, Luz (COL)
 3. BARRIONUEVO, Aracely (ECU)
 5. SORIANO, Estefania (DOM)
 5. PENA, Luz (ECU)
 7. MORAND, Priscilla (MRI)
 7. ALIYEVA, Leyla (AZE)



Pan-American Open Quito 2019

(ECU Quito, 15-16 June 2019)

-52 kg

3 Judoka

			1	2	3		
1	GAMARRA CARBAJAL, Brillith	PER		+	-	1 (7)	
2	ABUAN, Alaine	USA	-		-	0 (0)	
3	AOKI, Natsumi	JPN	+	+		2 (20)	

1	GAMARRA CARBAJAL, Brillith	PER	1	GAMARRA CARBAJAL, Brillith	PER
2	ABUAN, Alaine	USA		010 s1 / 000 s1	4:00

1	GAMARRA CARBAJAL, Brillith	PER	2	AOKI, Natsumi	JPN
3	AOKI, Natsumi	JPN		000 / 100 s2	4:58

2	ABUAN, Alaine	USA	3	AOKI, Natsumi	JPN
3	AOKI, Natsumi	JPN		000 / 100 s1	3:12

1. AOKI, Natsumi JPN
2. GAMARRA CARBAJAL, Brillith PER



Pan-American Open Quito 2019

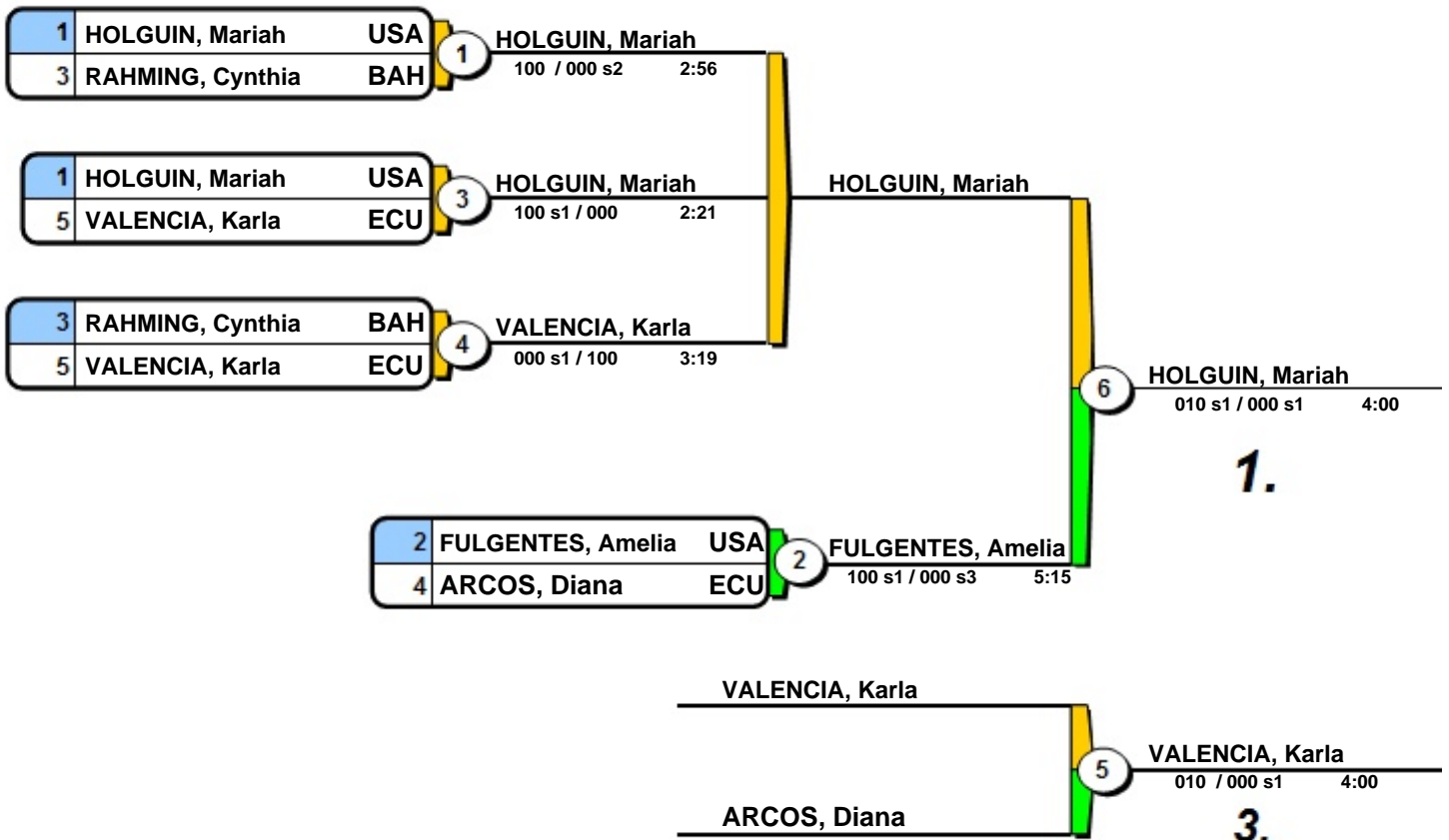
(ECU Quito, 15-16 June 2019)

-57 kg

5 Judoka

			1	3	5	Wins	Scores
1	HOLGUIN, Mariah	USA		+	+	2	(20)
3	RAHMING, Cynthia	BAH	-		-	0	(0)
5	VALENCIA, Karla	ECU	-	+		1	(10)

			2	4	Wins	Scores
2	FULGENTES, Amelia	USA		+	1	(10)
4	ARCOS, Diana	ECU	-		0	(0)



1. HOLGUIN, Mariah USA
2. FULGENTES, Amelia USA
3. VALENCIA, Karla ECU



Pan-American Open Quito 2019

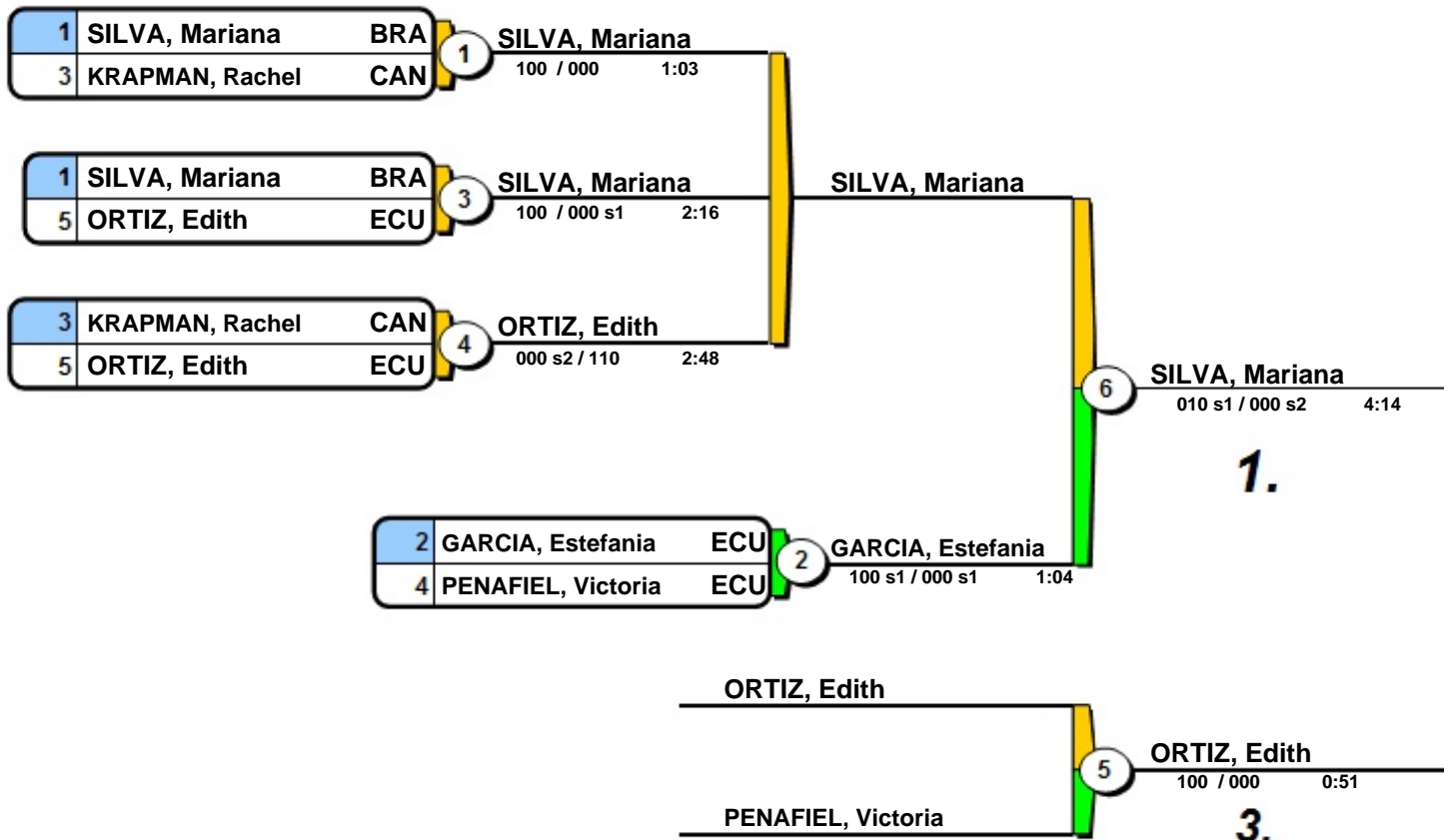
(ECU Quito, 15-16 June 2019)

-63 kg

5 Judoka

	1	3	5	Wins	Scores
1 SILVA, Mariana BRA		+	+	2	(20)
3 KRAPMAN, Rachel CAN	-		-	0	(0)
5 ORTIZ, Edith ECU	-	+		1	(10)

	2	4	Wins	Scores
2 GARCIA, Estefania ECU		+	1	(10)
4 PENAFIEL, Victoria ECU	-		0	(0)



- 1. SILVA, Mariana BRA
- 2. GARCIA, Estefania ECU
- 3. ORTIZ, Edith ECU

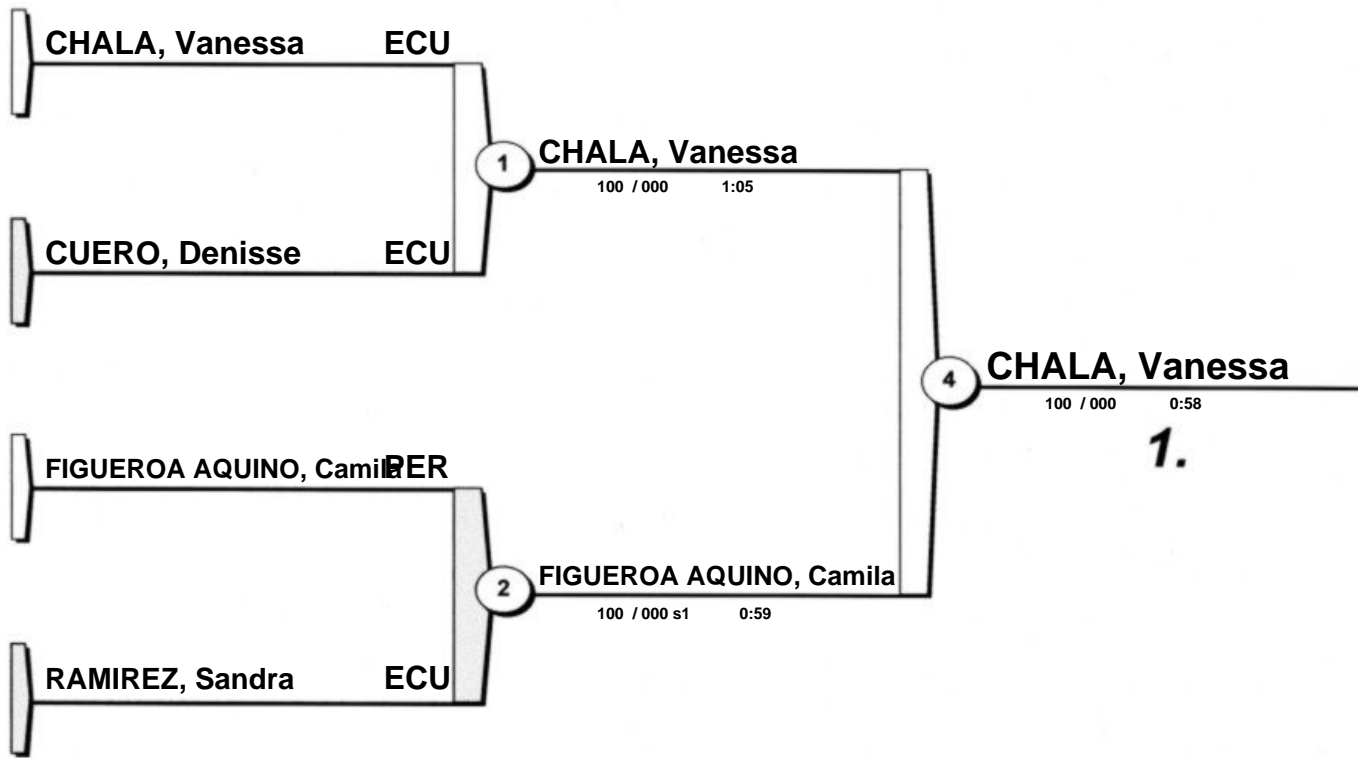


Pan-American Open Quito 2019

(ECU Quito, 15-16 June 2019)

-78 kg

4 Judoka



CUERO, Denisse

CUERO, Denisse

100 / 000 0:27

RAMIREZ, Sandra

1. CHALA, Vanessa ECU
2. FIGUEROA AQUINO, Camila PER
3. CUERO, Denisse ECU



Pan-American Open Quito 2019

(ECU Quito, 15-16 June 2019)

+78 kg

3 Judoka

			1	2	3		
1	MOJICA, Melissa	PUR		+	+	2 (20)	
2	CUTRO-KELLY, Nina	USA	-		+	1 (10)	
3	CALDERON, Nathaly	ECU	-	-		0 (0)	

1	MOJICA, Melissa	PUR	1	MOJICA, Melissa	PUR
2	CUTRO-KELLY, Nina	USA		100 / 000 s2	2:30

1	MOJICA, Melissa	PUR	2	MOJICA, Melissa	PUR
3	CALDERON, Nathaly	ECU		100 / 000	1:34

2	CUTRO-KELLY, Nina	USA	3	CUTRO-KELLY, Nina	USA
3	CALDERON, Nathaly	ECU		100 s1 / 000 s1	2:37

1. MOJICA, Melissa PUR
2. CUTRO-KELLY, Nina USA