

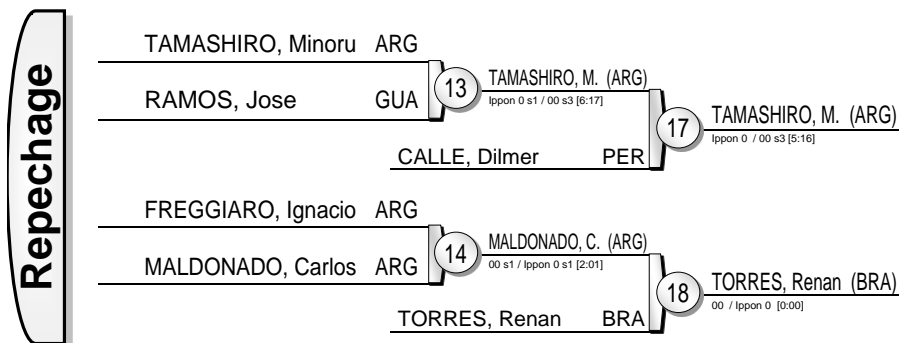


Pan-American Open Bariloche 2020

(ARG Bariloche, 7-8 March 2020)

-60 kg

13 Judoka



Results		
1.	MOROCHO, Steven	ECU
2.	AYALA, Juan	ECU
3.	TAMASHIRO, Minoru	ARG
3.	TORRES, Renan	BRA
5.	CALLE, Dilmer	PER
5.	MALDONADO, Carlos	ARG
7.	RAMOS, Jose	GUA
7.	FREGGIARO, Ignacio	ARG



Pan-American Open Bariloche 2020

(ARG Bariloche, 7-8 March 2020)

-66 kg

10 Judoka



Results		
1.	LIMA, Willian	BRA
2.	PEREZ, Sebastian	CHI
3.	GUILLEN, Byron	ECU
3.	ADARVEZ, Karim	ARG
5.	JARA, Rodrigo	ARG
5.	BERLINER, Ari	USA
7.	TOVAGLIARI, Joaquin	ARG
7.	ELCOCK, Darren	GUY



Pan-American Open Bariloche 2020

(ARG Bariloche, 7-8 March 2020)

-73 kg

11 Judoka



Results		
1.	MARCELINO, Michael	BRA
2.	CHIBANA, Charles	BRA
3.	SALEM, Salama	USA
3.	DE LUCIA, Facundo	ARG
5.	TOSCANINI, Franco	CHI
5.	REIG ARNAU, Marc	AND
7.	RAMOS MARTINS, Fabian	AND
7.	DE RIDDER, Maarten	NZL



Pan-American Open Bariloche 2020

(ARG Bariloche, 7-8 March 2020)

-81 kg

9 Judoka



Results		
1.	BRIGIDA, Caio	BRA
2.	CONNOLLY, Elliott	NZL
3.	BERLINER, Kell	USA
3.	SCHIMIDT, Guilherme	BRA
5.	ANGELES SOTELO, Luis	PER
5.	PEREZ, Jorge	CHI
7.	GIL, Agustin	ARG
7.	GRIVEL, Santiago	ARG

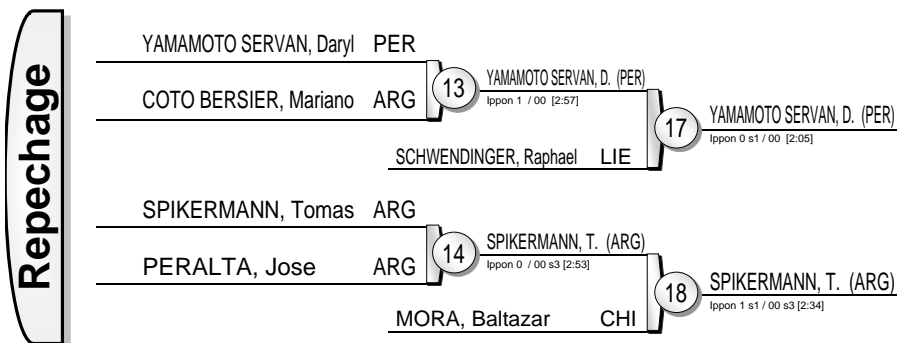


Pan-American Open Bariloche 2020

(ARG Bariloche, 7-8 March 2020)

-90 kg

9 Judoka



Results		
1.	GOMES, Marcelo	BRA
2.	MORISHIGUE, Igor	BRA
3.	YAMAMOTO SERVAN, Daryl	PER
3.	SPIKERMANN, Tomas	ARG
5.	SCHWENDINGER, Raphael	LIE
5.	MORA, Baltazar	CHI
7.	COTO BERSIER, Mariano	ARG
7.	PERALTA, Jose	ARG

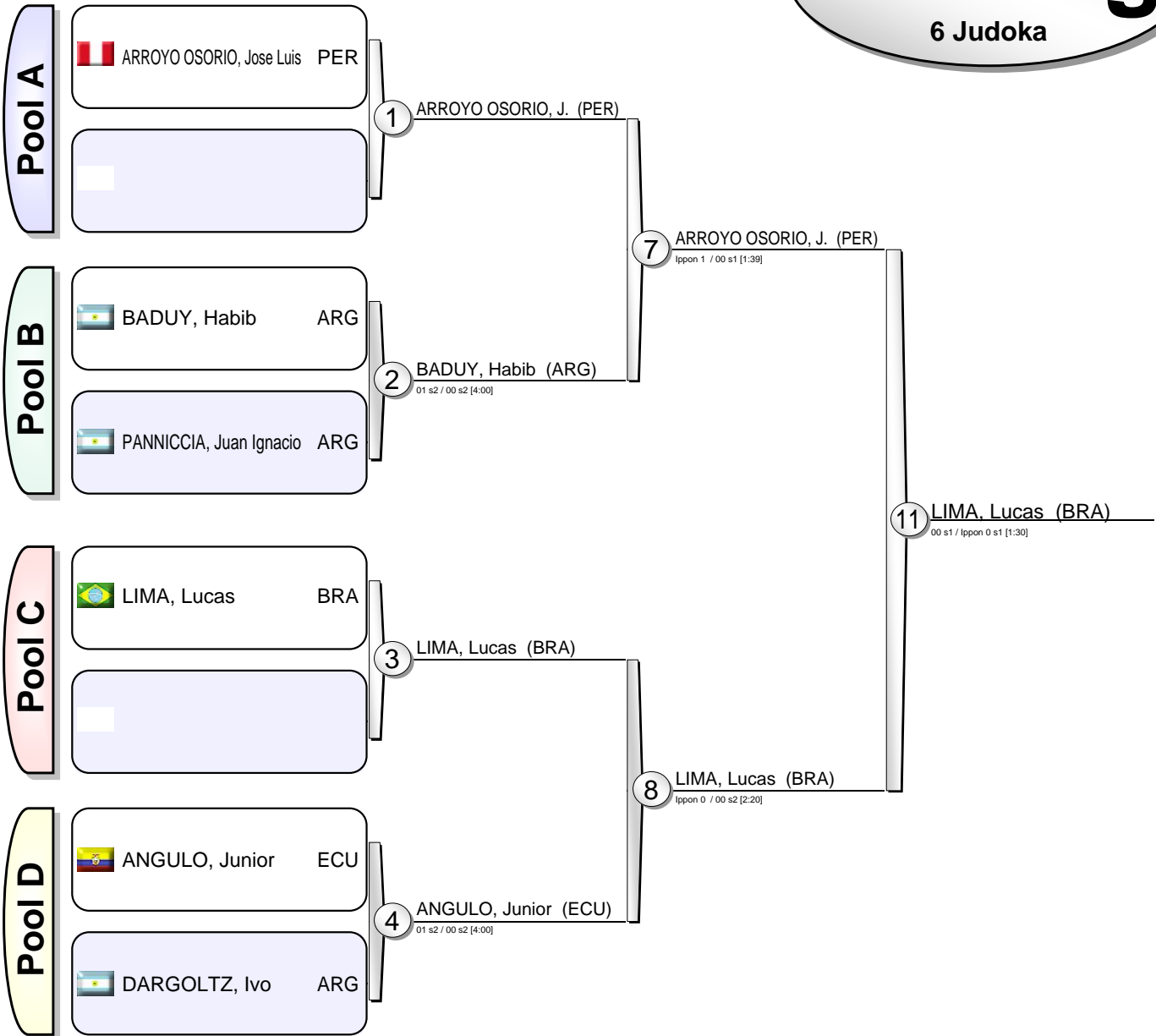


Pan-American Open Bariloche 2020

(ARG Bariloche, 7-8 March 2020)

-100 kg

6 Judoka



Results		
1.	LIMA, Lucas	BRA
2.	ARROYO OSORIO, Jose Luis	PER
3.	ANGULO, Junior	ECU
3.	DARGOLTZ, Ivo	ARG
5.	PANNICCIA, Juan Ignacio	ARG
5.	BADUY, Habib	ARG
7.		
7.		

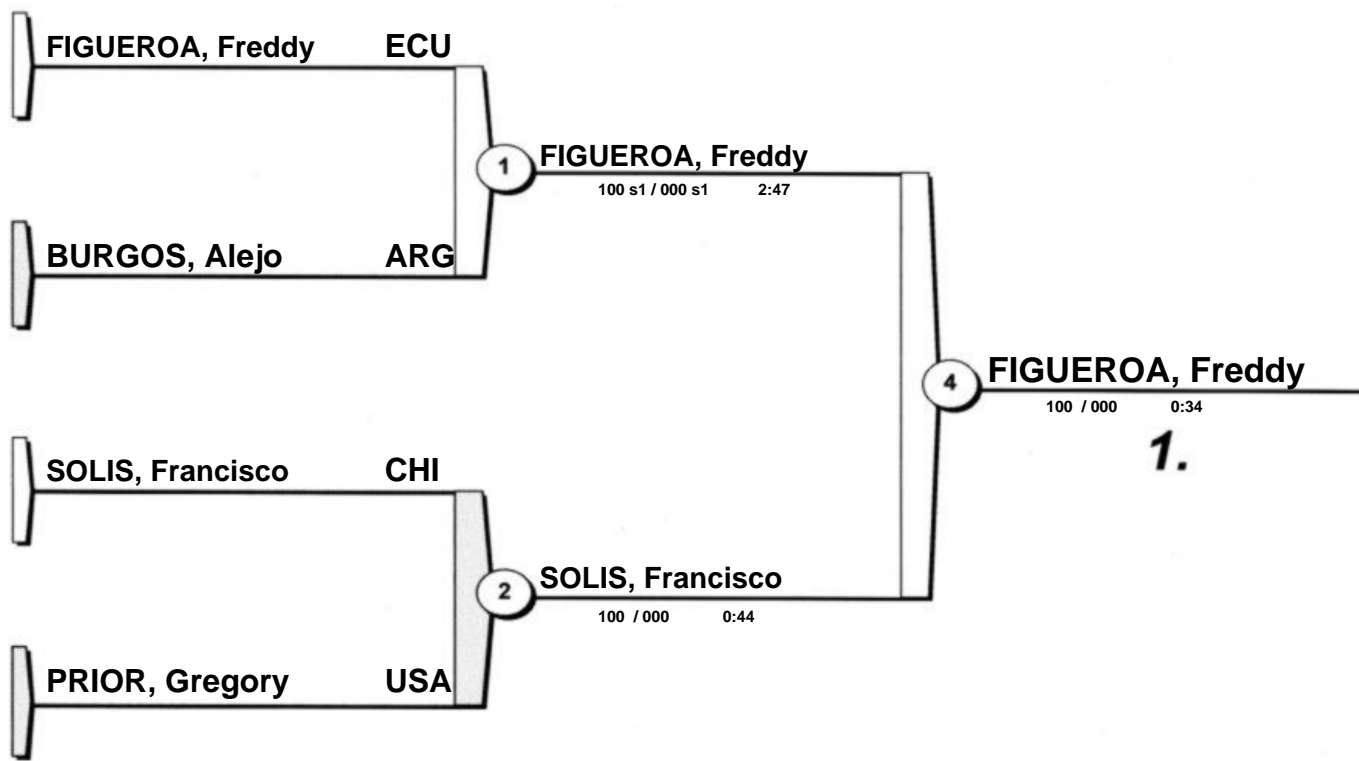


Pan-American Open Bariloche 2020

(ARG Bariloche, 7-8 March 2020)

+100 kg

4 Judoka



BURGOS, Alejo

BURGOS, Alejo

010 s1 / 000 s2 4:00

PRIOR, Gregory

- | | |
|---------------------|-----|
| 1. FIGUEROA, Freddy | ECU |
| 2. SOLIS, Francisco | CHI |
| 3. BURGOS, Alejo | ARG |

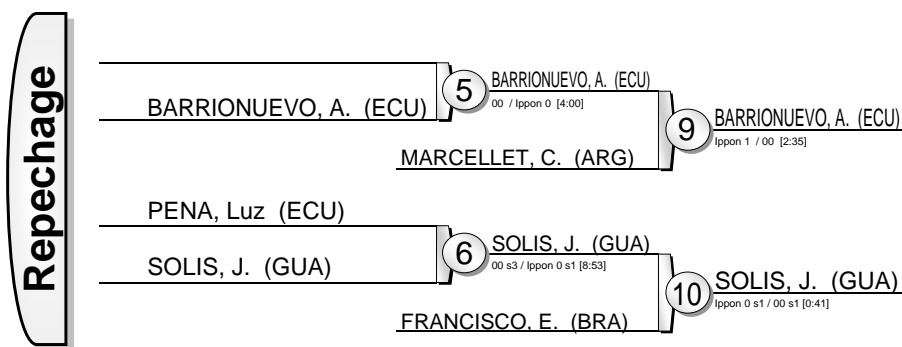
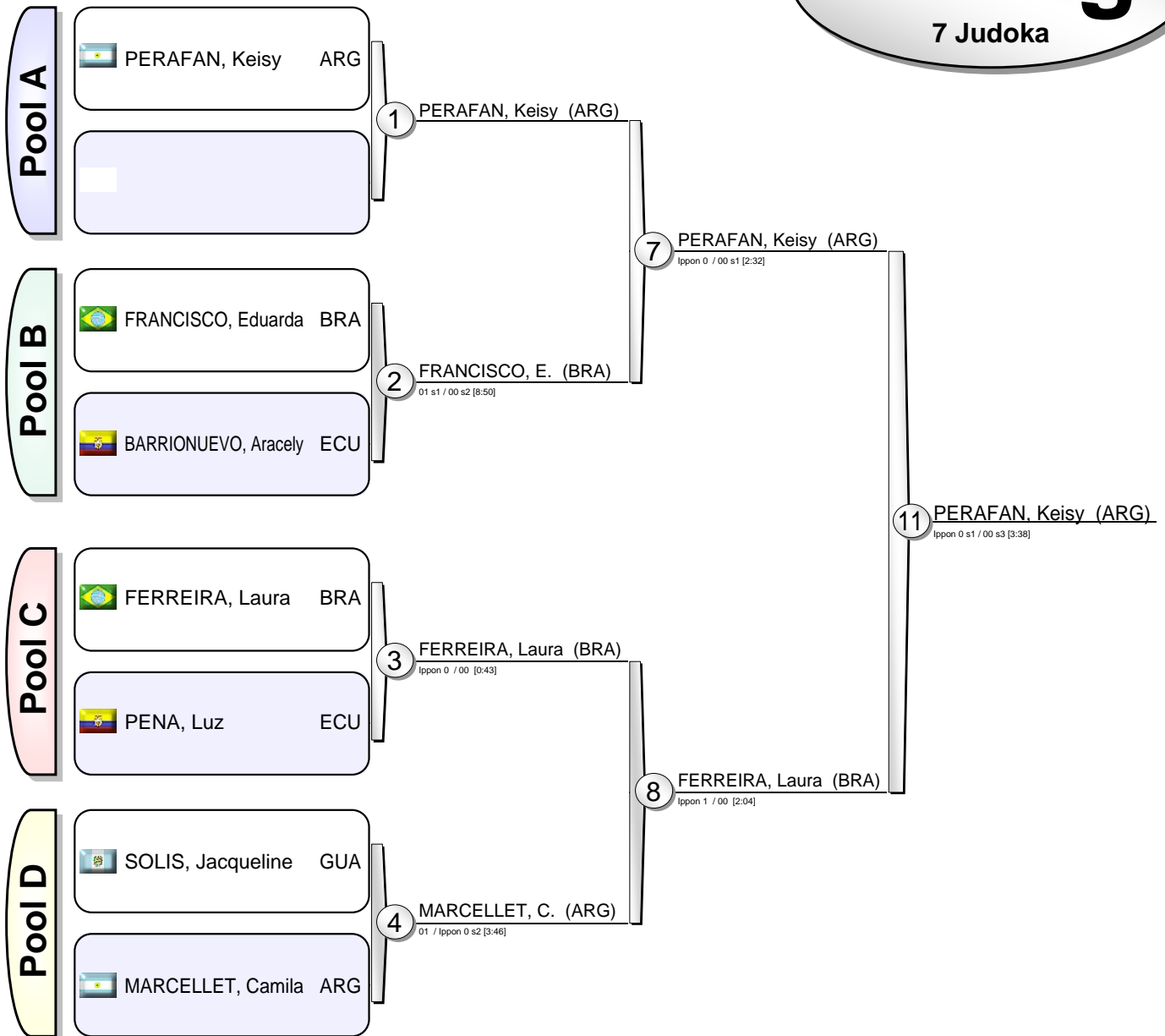


Pan-American Open Bariloche 2020

(ARG Bariloche, 7-8 March 2020)

-48 kg

7 Judoka



Results		
1.	PERAFAN, Keisy	ARG
2.	FERREIRA, Laura	BRA
3.	BARRIONUEVO, Aracely	ECU
3.	SOLIS, Jacqueline	GUA
5.	MARCELLET, Camila	ARG
5.	FRANCISCO, Eduarda	BRA
7.		
7.	PENA, Luz	ECU

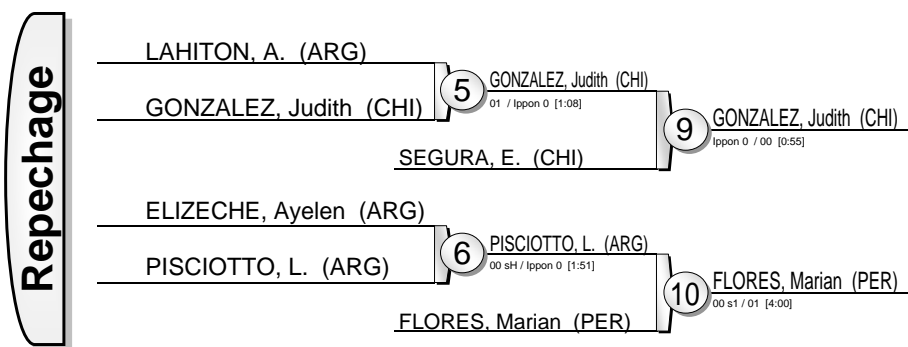
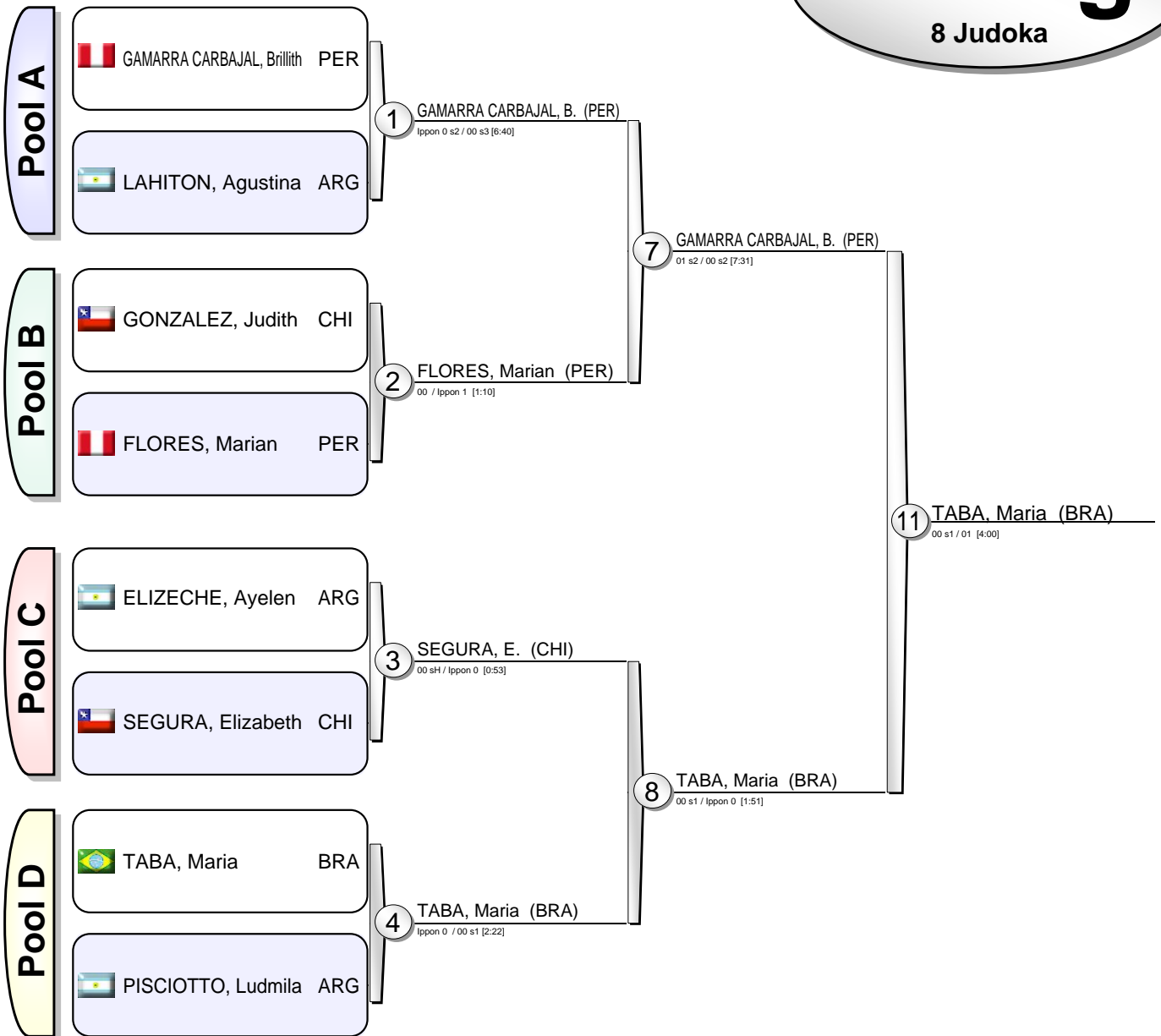


Pan-American Open Bariloche 2020

(ARG Bariloche, 7-8 March 2020)

-52 kg

8 Judoka



Results		
1.	TABA, Maria	BRA
2.	GAMARRA CARBAJAL, Brillith	PER
3.	GONZALEZ, Judith	CHI
3.	FLORES, Marian	PER
5.	SEGURA, Elizabeth	CHI
5.	PISCIOTTO, Ludmila	ARG
7.	LAHITON, Agustina	ARG
7.	ELIZECHE, Ayelen	ARG

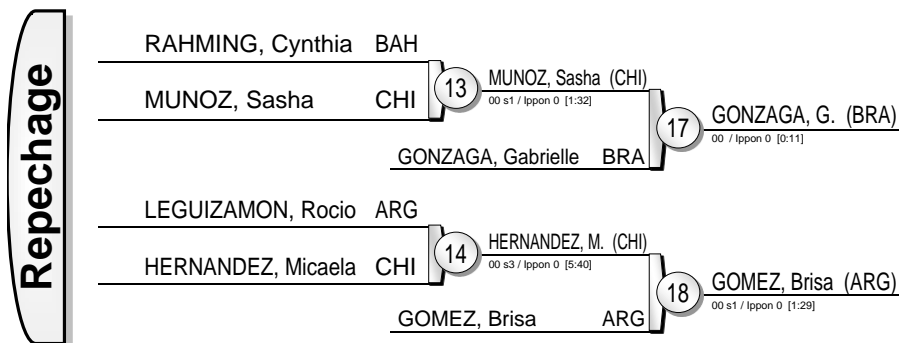


Pan-American Open Bariloche 2020

(ARG Bariloche, 7-8 March 2020)

-57 kg

9 Judoka



Results		
1.	VALENCIA, Karla	ECU
2.	GONZALEZ, Oritia	ARG
3.	GONZAGA, Gabrielle	BRA
3.	GOMEZ, Brisa	ARG
5.	MUNOZ, Sasha	CHI
5.	HERNANDEZ, Micaela	CHI
7.	RAHMING, Cynthia	BAH
7.	LEGUIZAMON, Rocio	ARG

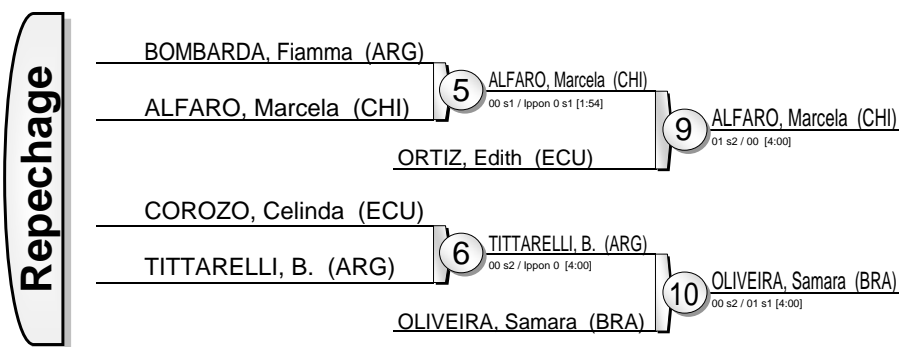
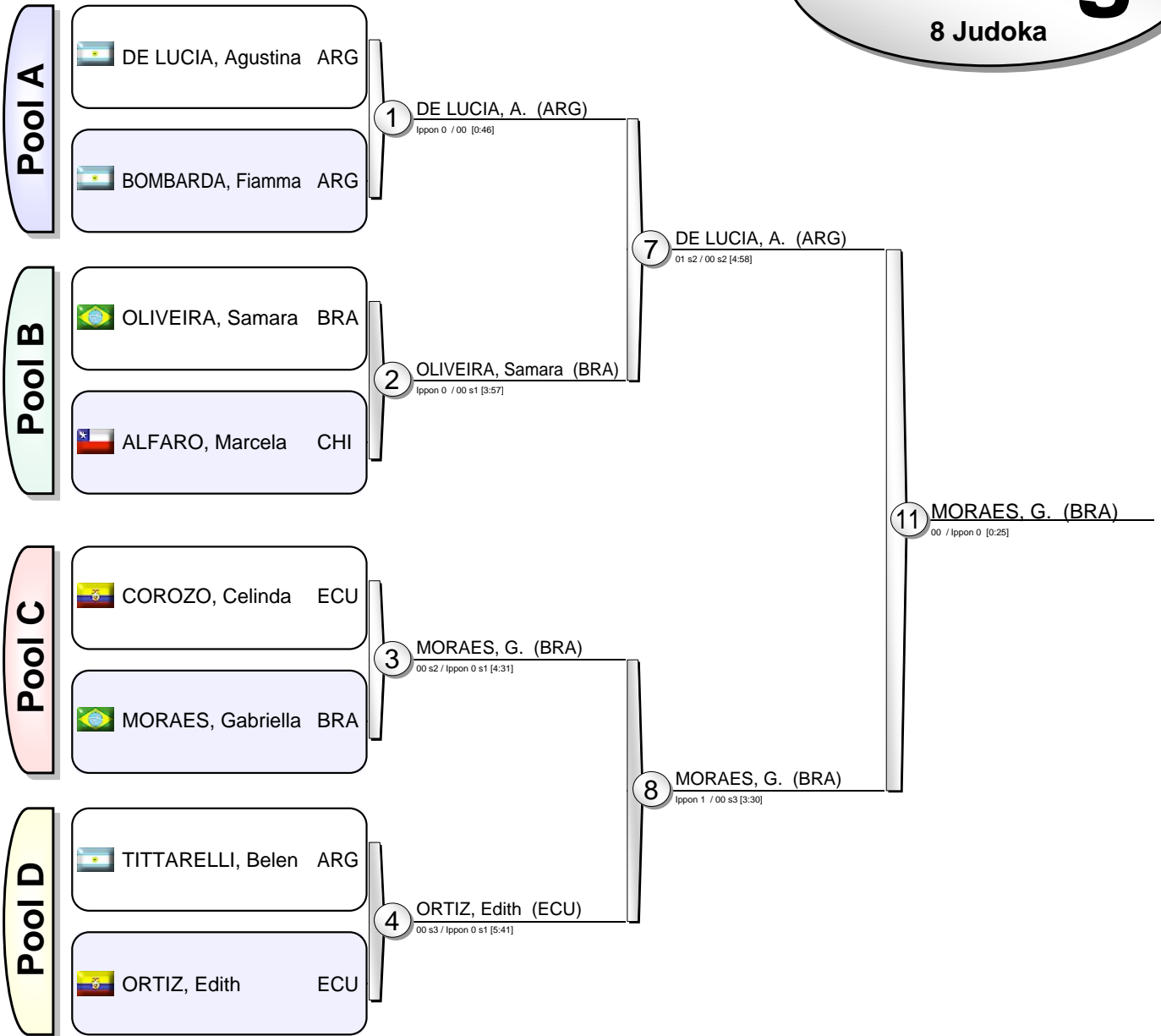


Pan-American Open Bariloche 2020

(ARG Bariloche, 7-8 March 2020)

-63 kg

8 Judoka



Results		
1.	MORAES, Gabriella	BRA
2.	DE LUCIA, Agustina	ARG
3.	ALFARO, Marcela	CHI
3.	OLIVEIRA, Samara	BRA
5.	ORTIZ, Edith	ECU
5.	TITTARELLI, Belen	ARG
7.	BOMBARDA, Fiamma	ARG
7.	COROZO, Celinda	ECU



Pan-American Open Bariloche 2020

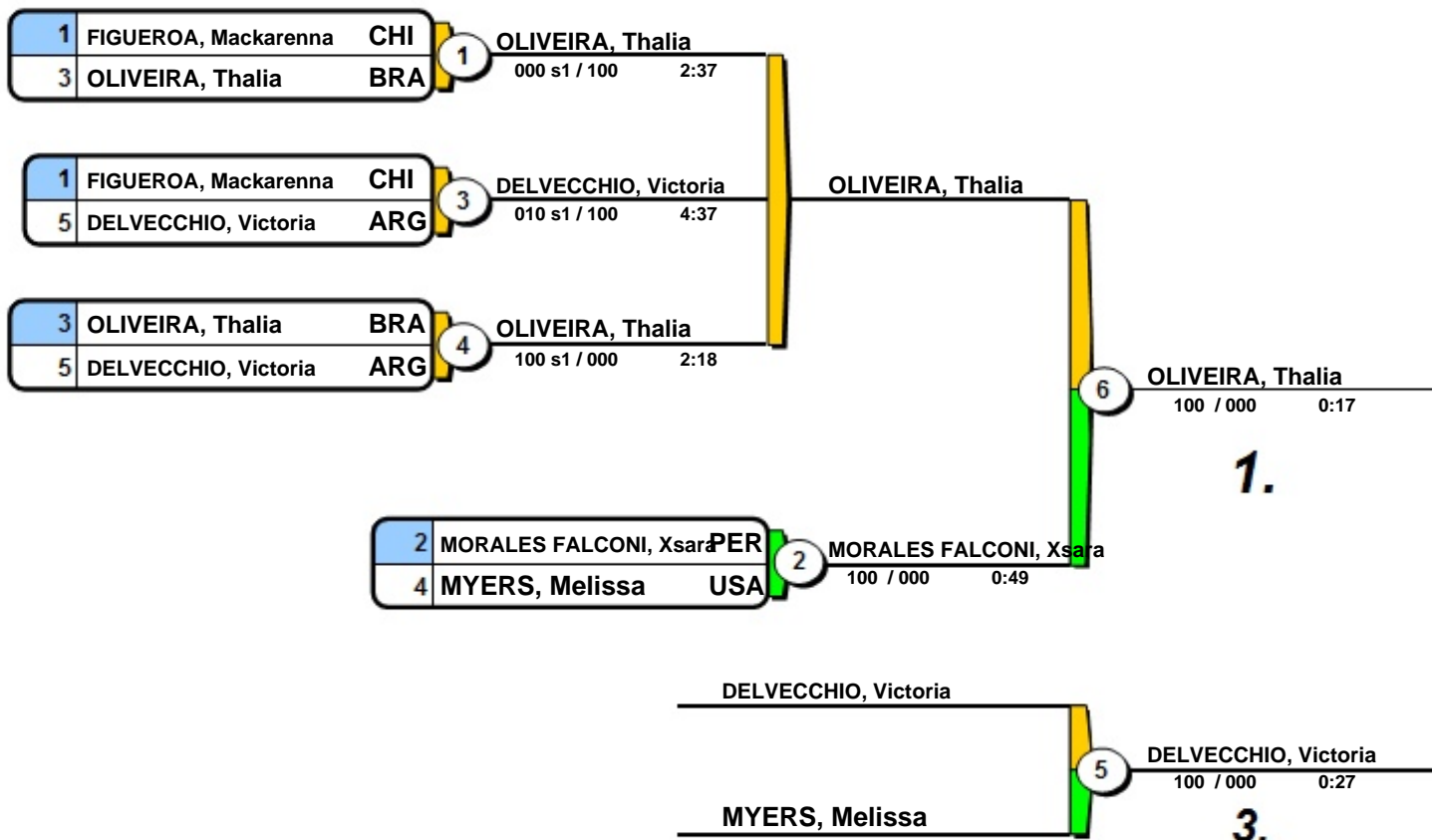
(ARG Bariloche, 7-8 March 2020)

-70 kg

5 Judoka

			1	3	5	Wins	Scores
1	FIGUEROA, Mackarena	CHI		-	-	0	(0)
3	OLIVEIRA, Thalia	BRA	+		+	2	(20)
5	DELVECCHIO, Victoria	ARG	+	-		1	(10)

			2	4	Wins	Scores
2	MORALES FALCONI, Xsara	PER		+	1	(10)
4	MYERS, Melissa	USA	-		0	(0)



- 1. OLIVEIRA, Thalia BRA
- 2. MORALES FALCONI, Xsara PER
- 3. DELVECCHIO, Victoria ARG



Pan-American Open Bariloche 2020

(ARG Bariloche, 7-8 March 2020)

-78 kg

3 Judoka

			1	2	3		
1	BRANSER, Marie	COD		+	+	2 (17)	
				10	7		
2	CANTERO, Lucia	ARG	-		+	1 (10)	
					10		
3	STOUT, Nicole	USA	-	-		0 (0)	

1	BRANSER, Marie	COD	1	BRANSER, Marie	COD	100 s2 / 000 s2	3:39
2	CANTERO, Lucia	ARG					

1	BRANSER, Marie	COD	2	BRANSER, Marie	COD	010 s1 / 000 s2	4:00
3	STOUT, Nicole	USA					

2	CANTERO, Lucia	ARG	3	CANTERO, Lucia	ARG	100 / 000	2:23
3	STOUT, Nicole	USA					

1. BRANSER, Marie COD
2. CANTERO, Lucia ARG



Pan-American Open Bariloche 2020

(ARG Bariloche, 7-8 March 2020)

+78 kg

3 Judoka

			1	2	3		
1	WOOD, Gabriella	TTO		+	-	1 (10)	
2	BREDESTON, Amanda	ARG	-		-	0 (0)	
3	BOLIVAR GONZALES, Yuliana	PER	+	+		2 (20)	

1	WOOD, Gabriella	TTO	1	WOOD, Gabriella	TTO
2	BREDESTON, Amanda	ARG		110 s1 / 010 s2	8:10

1	WOOD, Gabriella	TTO	2	BOLIVAR GONZALES, Yuliana	PER
3	BOLIVAR GONZALES, Yuliana	PER		000 / 100 s1	1:36

2	BREDESTON, Amanda	ARG	3	BOLIVAR GONZALES, Yuliana	PER
3	BOLIVAR GONZALES, Yuliana	PER		000 s1 / 110	1:21

1. BOLIVAR GONZALES, Yuliana PER
2. WOOD, Gabriella TTO